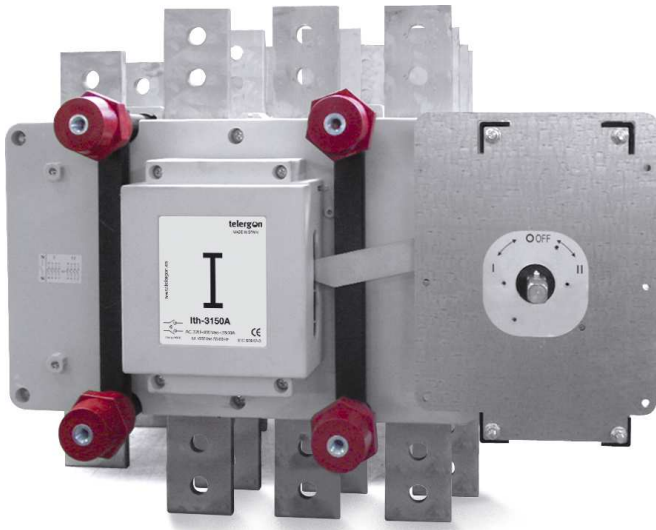


Data sheet:

AC-changeover switch Model S5000 – 3150A



Electrical data (according to IEC 60947-3)

Thermal current I_{th} (-30 to 50 °C) 3150A

Rated insulation voltage U_i (V) 1000
Rated impulse withstand voltage U_{imp} (kV) 8

AC Rated operational current I_e (A)

Voltage (C)	Category of operation	I _e
400 V	AC21A	3150
	AC22A	3150

** Please consult for other voltages and/or category of operation

Standards. IEC 60947-1 & 3

Quality Telergon, S.A.U.

ISO 9001 & 14001



Management System
ISO 9001:2008
ISO 14001:2004
www.tuv.com
ID 9105053481

Short-circuit behaviour

Short-circuit making capacity (peak value) I _{cm}	100kA
Short-time withstand current (1 sec) (rms) I _{cw}	50kA
Conditional short-circuit current (rms value)	-----
Maximum cut-off current (peak value)	-----

Connection capacity

Bar (Thickness / Width) (mm)	3x12/100
Rigid cable (mm ²)	-----
Max. Connecting copper bar (mm)	100
Tightening torque (N·m)	45

Testing as per IEC 60947-3. Approvals

IPH Berlin



Mechanical data

Minimum number of operations (as per standard) without load	2500
Maximum weight (4 pole molded case) (kg)	-----

Codes

Case size (A)	Poles	Code	Code for direct handle
Size 5	3P	S5F31503PS0	DS-EI61
Size 5	4P(3P+N)	S5F31503NS0	DS-EI61

Accessories

Panel handle	D5LEN51	
Auxiliary contact	DS-AU11	(1N0 + 1NC)
	DS-AU12	(2N0 + 2NC)

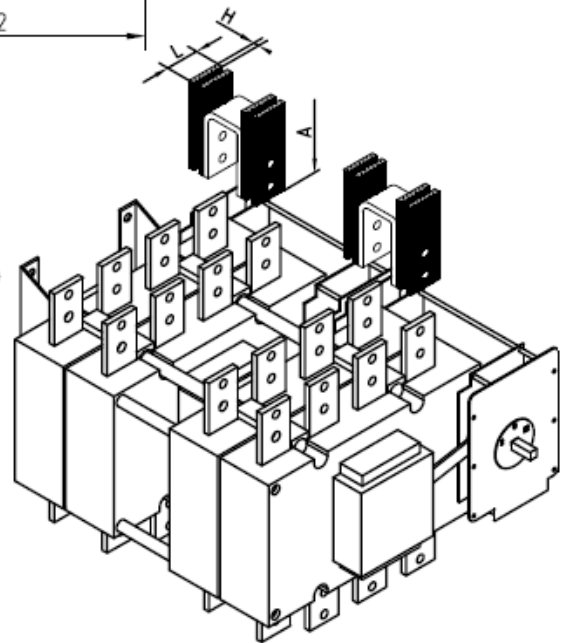
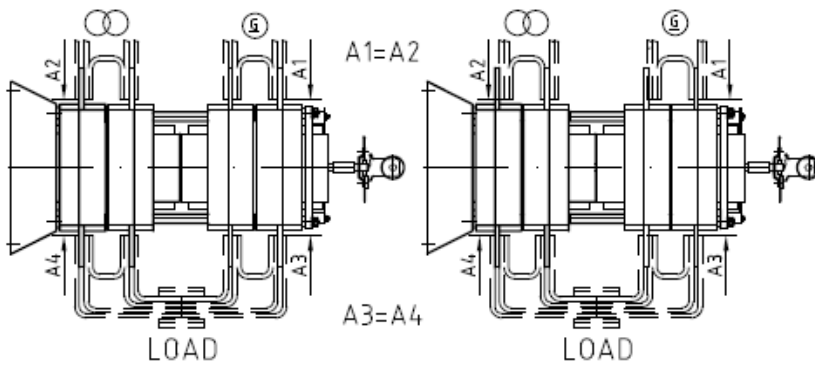
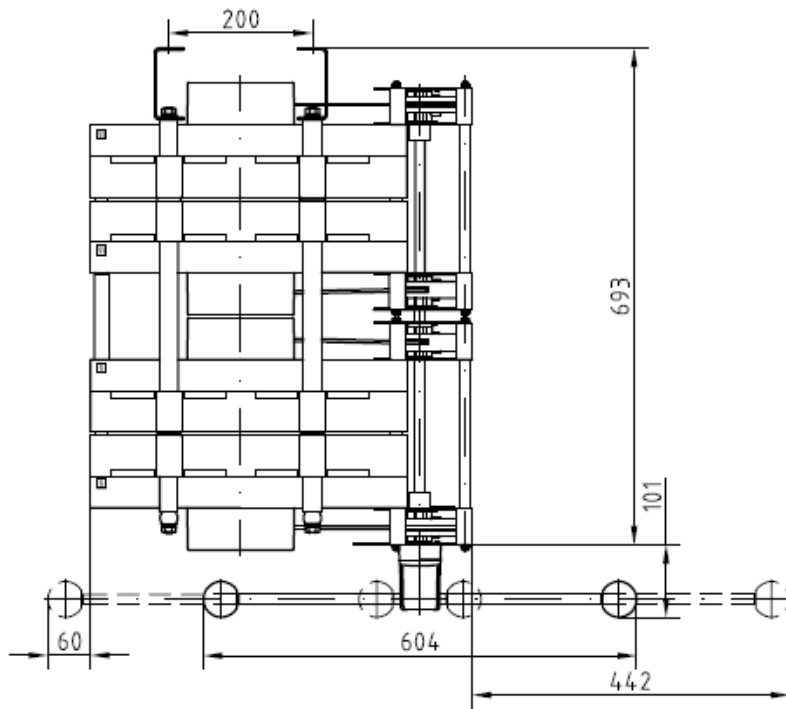
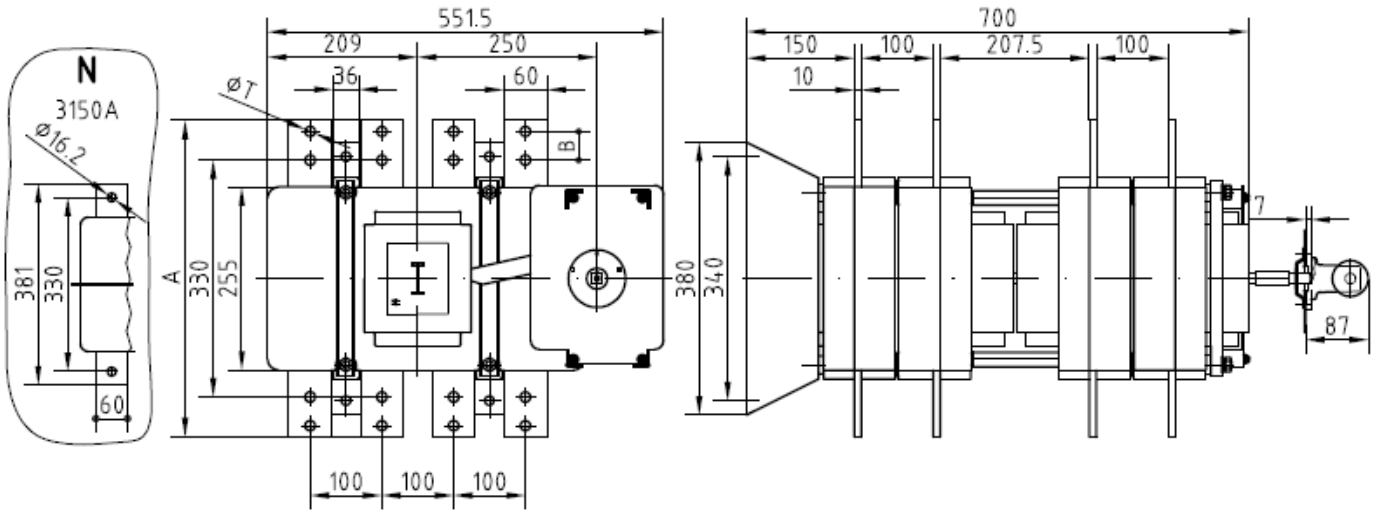
You will find detailed information about our products on our web site www.telergon.es



AC Changeover Switch
S5F31503PS0
S5F31503NS0

TELERGON, S.A.U.
Data subject to change without
notice (printed: 10/02/2014)

Dimensions



S5000F	Ith	A	B	ϕT	S min. (Cu)mm ²	M N×m	H max. (Cu)mm	L max. (Cu)mm
5	3150A	381	-	16,2	2000	M16	80	2X10

You will find detailed information about our products on our web site www.telergon.es



AC Changeover Switch
S5F31503PS0
S5F31503NS0

TELERGON, S.A.U.
 Data subject to change without
 notice (printed: 10/02/2014)