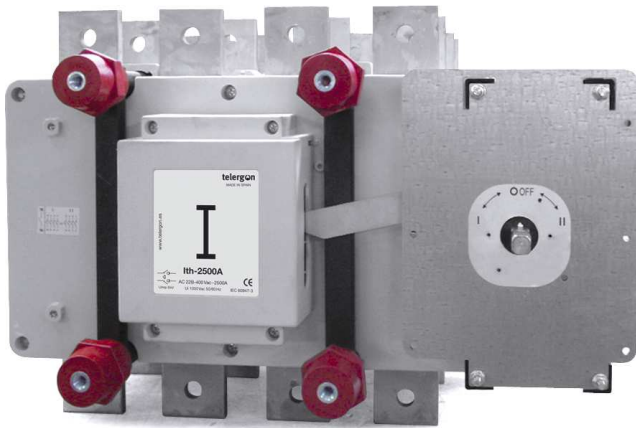


Data sheet:

AC-changeover switch Model S5000 – 2500A

telergon
g o r l a n t e a m



Standards. IEC 60947-1 & 3

Quality Telergon, S.A.U.

ISO 9001 & 14001



Testing as per IEC 60947-3. Approvals

IPH Berlin



Electrical data (according to IEC 60947-3)

Thermal current I_{th} (-30 to 50 °C) 2500A

Rated insulation voltage U_i (V) 1000
Rated impulse withstand voltage U_{imp} (kV) 8

AC Rated operational current I_e (A)

Voltage (C)	Category of operation	I _e
400 V	AC21A	2500
	AC22A	2500
500 V	AC21A	2500
	AC22A	2200

** Please consult for other voltages and/or category of operation

Short-circuit behaviour

Short-circuit making capacity (peak value) I _{cm}	100kA
Short-time withstand current (1 sec) (rms) I _{cw}	50kA
Conditional short-circuit current (rms value)	-----
Maximum cut-off current (peak value)	-----

Connection capacity

Bar (Thickness / Width) (mm)	3x12/80
Rigid cable (mm ²)	-----
Max. Connecting copper bar (mm)	80
Tightening torque (N·m)	45

Mechanical data

Minimum number of operations (as per standard) without load	2500
Maximum weight (4 pole molded case) (kg)	-----

Codes

Case size (A)	Poles	Code	Code for direct handle
Size 5	3P	S5F25003PS0	DS-EI61
Size 5	4P(3P+N)	S5F25003NS0	DS-EI61

Accessories

Panel handle	D5LEN51	
Auxiliary contact	DS-AU11	(1N0 + 1NC)
	DS-AU12	(2N0 + 2NC)

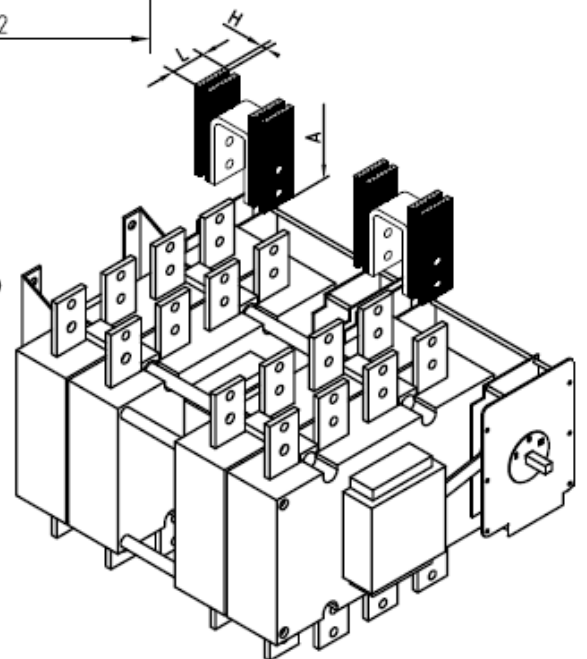
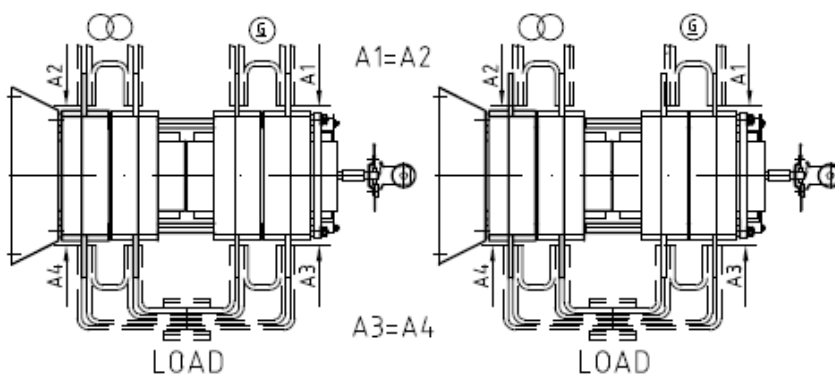
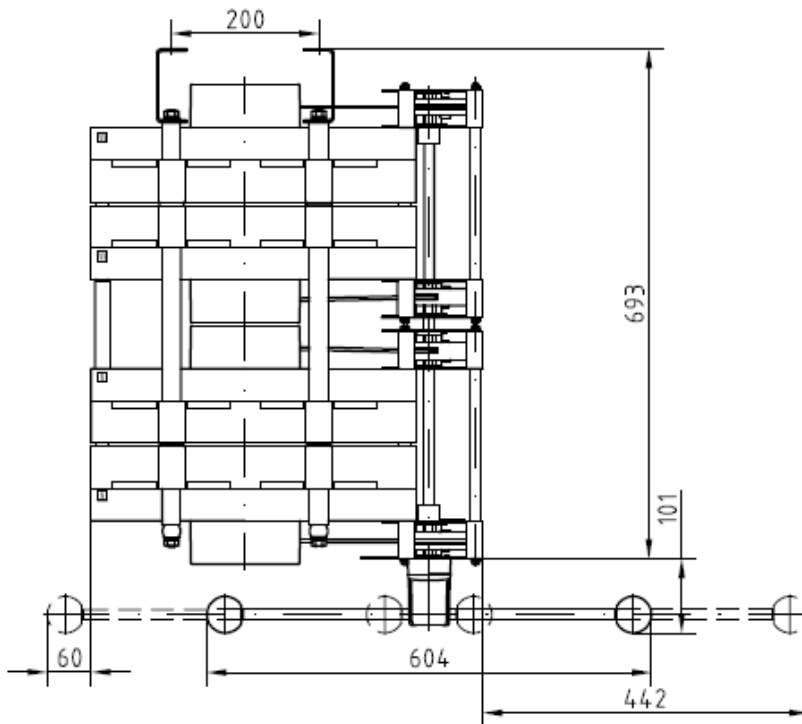
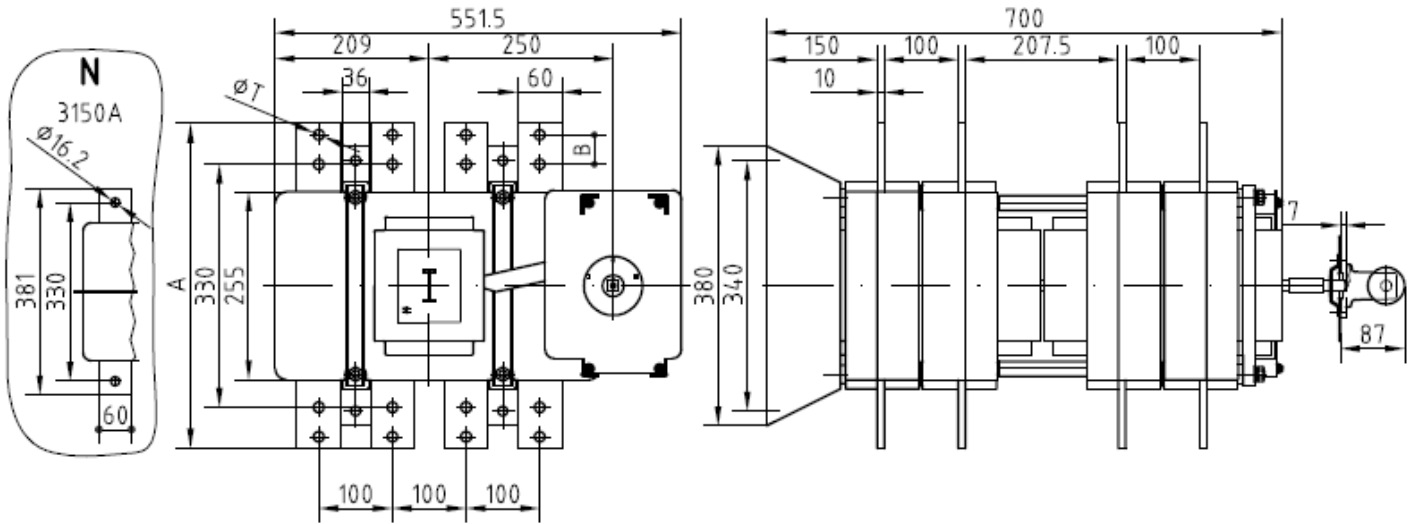
You will find detailed information about our products on our web site www.telergon.es



AC Changeover Switch
S5F25003PS0
S5F25003NS0

TELERGON, S.A.U.
Data subject to change without
notice (printed: 05/04/2013)

Dimensions



S5000F	Ith	A	B	ϕT	S min. (Cu)mm ²	M	N x m	H max. (Cu)mm	L max. (Cu)mm
5	2500A	381	-	16,2	2000	M16	80	2X10	80

You will find detailed information about our products on our web site www.telergon.es



AC Changeover Switch
S5F25003PS0
S5F25003NS0

TELERGON, S.A.U.
 Data subject to change without
 notice (printed: 05/04/2013)