

Data sheet:

AC-Changeover switch Model S5000 – 2000A



** Photo sample. Similar size and design, but different rating.

Standards. IEC 60947-1 & 3

Quality Telergon, S.A.U.

ISO 9001 & 14001



Management System
ISO 9001:2008
ISO 14001:2004
www.tuv.com
ID 9105053481

Testing as per IEC 60947-3. Approvals

IPH Berlin



Electrical data (according to IEC 60947-3)

Thermal current I_{th} (-30 to 50 °C) 2000A

Rated insulation voltage U_i (V) 1000
Rated impulse withstand voltage U_{imp} (kV) 12

AC Rated operational current I_e (A)

Voltage (C)	Category of operation	I _e
400 V	AC21A	2000
	AC22A	2000

** Please consult for other voltages and/or category of operation

Short-circuit behaviour

Short-circuit making capacity (peak value)	I _{cm}	75kA
Short-time withstand current (1 sec) (rms)	I _{cw}	50kA
Conditional short-circuit current (rms value)		-----
Maximum cut-off current (peak value)		-----

Connection capacity

Bar (Thickness / Width) (mm)	2x7/80
Rigid cable (mm ²)	-----
Max. Connecting copper bar (mm)	80
Tightening torque (N·m)	55

Mechanical data

Minimum number of operations (as per standard) without load	10000
Maximum weight (4 pole molded case) (kg)	42,9/47.3

Codes

Case size (A)	Poles	Code	Code for direct handle
Size 4	3P	S5F20003PD0	D5LLI32
Size 4	4P(3P+N)	S5F20003ND0	D5LLI32

Accessories

Panel handle	D5LLA31	
Auxiliary contact	DS-AU11	(1NO + 1NC)
	DS-AU12	(2NO + 2NC)

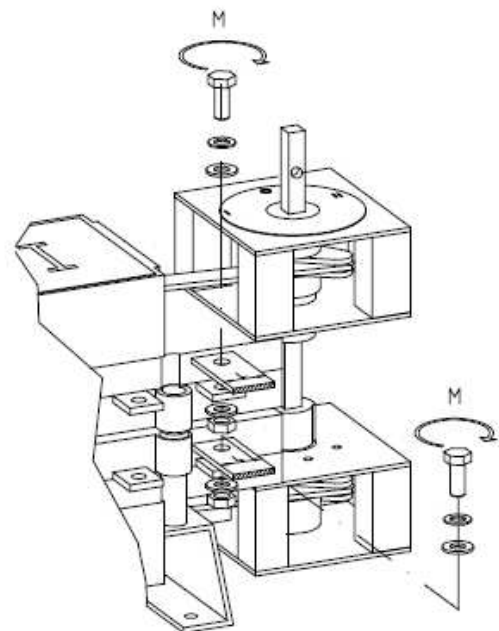
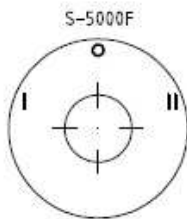
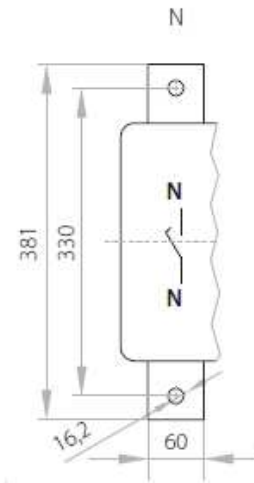
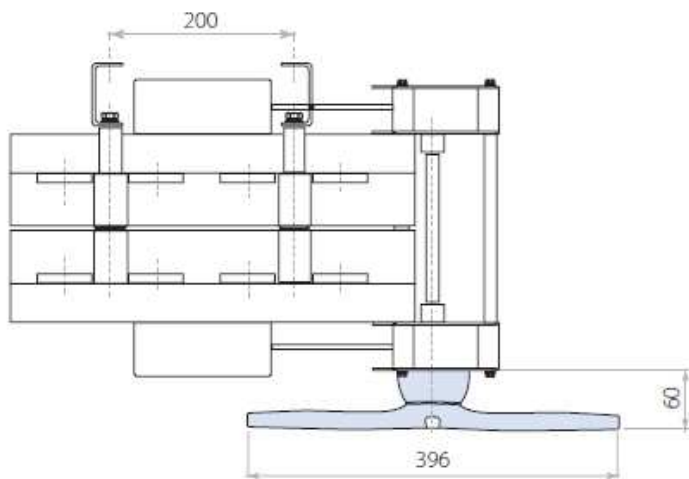
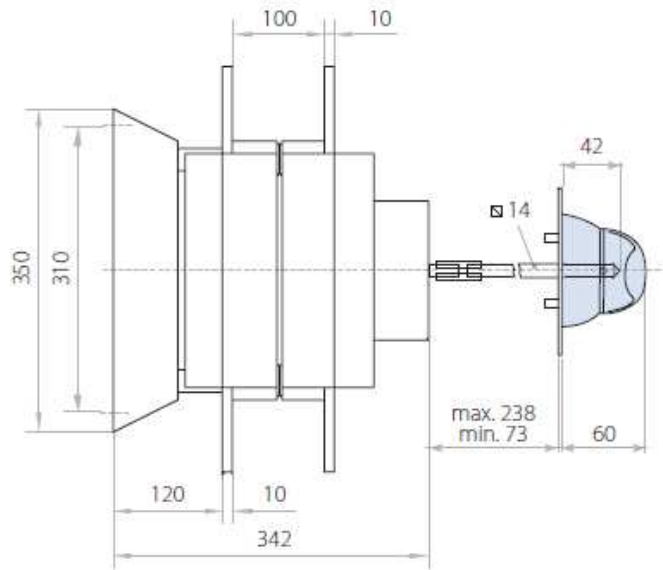
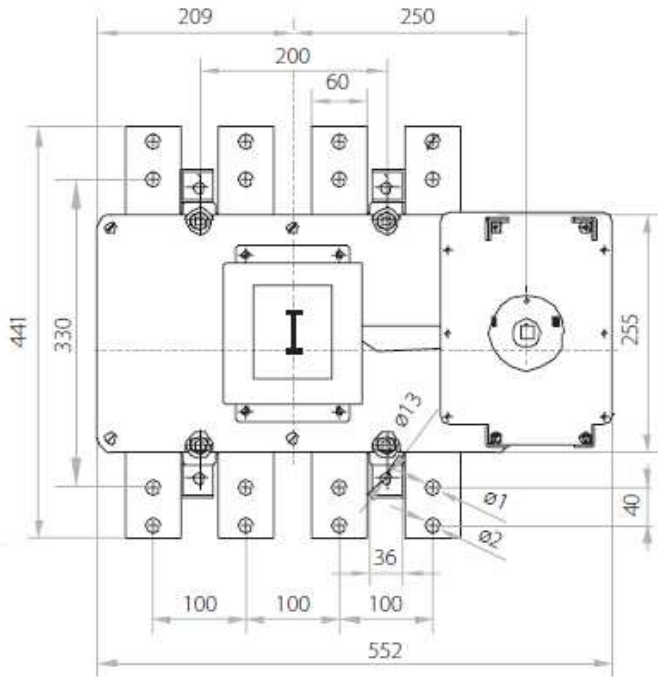
You will find detailed information about our products on our web site www.telergon.es



AC Changeover Switch
S5F20003PD0
S5F20003ND0

TELERGON, S.A.U.
Data subject to change without
notice (printed: 10/02/2014)

Dimensions



S5000F	I_{th}	I	X	ϕT	M N x m	I		
						H max. (Cu) mm	L max. (Cu) mm	
4	2000 A	441	40	14,1	M14	55	2X7	80

You will find detailed information about our products on our web site www.telergon.es



AC Changeover Switch
S5F20003PDO
S5F20003NDO

TELERGON, S.A.U.
 Data subject to change without
 notice (printed: 10/02/2014)