

## Data sheet:

### AC-Changeover switch Model S5000 – 1800A



#### Electrical data (according to IEC 60947-3)

**Thermal current I<sub>th</sub> (-30 to 50 °C) 1800A**

Rated insulation voltage U<sub>i</sub> (V) 1000  
Rated impulse withstand voltage U<sub>imp</sub> (kV) 12

#### AC Rated operational current I<sub>e</sub> (A)

Voltage (C)	Category of operation	I <sub>e</sub>
400 V	AC21A	1800
	AC22A	1800

\*\* Please consult for other voltages and/or category of operation

Standards. IEC 60947-1 & 3

Quality Telergon, S.A.U.

ISO 9001 & 14001



Management System  
ISO 9001:2008  
ISO 14001:2004  
[www.tuv.com](http://www.tuv.com)  
ID 9105053481

#### Short-circuit behaviour

Short-circuit making capacity (peak value) I <sub>cm</sub>	75kA
Short-time withstand current (1 sec) (rms) I <sub>cw</sub>	50kA
Conditional short-circuit current (rms value)	-----
Maximum cut-off current (peak value)	-----

#### Connection capacity

Bar (Thickness / Width) (mm)	2x7/80
Rigid cable (mm <sup>2</sup> )	-----
Max. Connecting copper bar (mm)	80
Tightening torque (N·m)	55

Testing as per IEC 60947-3. Approvals

IPH Berlin



#### Mechanical data

Minimum number of operations (as per standard) without load	10000
Maximum weight (4 pole molded case) (kg)	42,9/47,3

#### Codes

Case size (A)	Poles	Code	Code for direct handle
Size 4	3P	S5F18003PS0	D5LLI32
Size 4	4P(3P+N)	S5F18003NS0	D5LLI32

#### Accessories

Panel handle	D5LLA31	
Auxiliary contact	DS-AU11	(1N0 + 1NC)
	DS-AU12	(2N0 + 2NC)

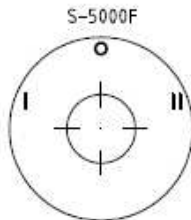
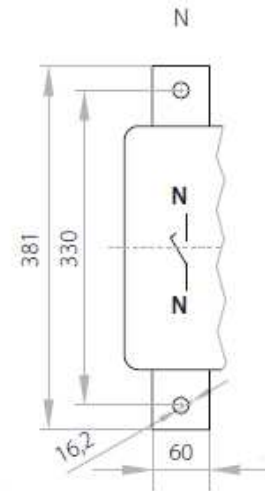
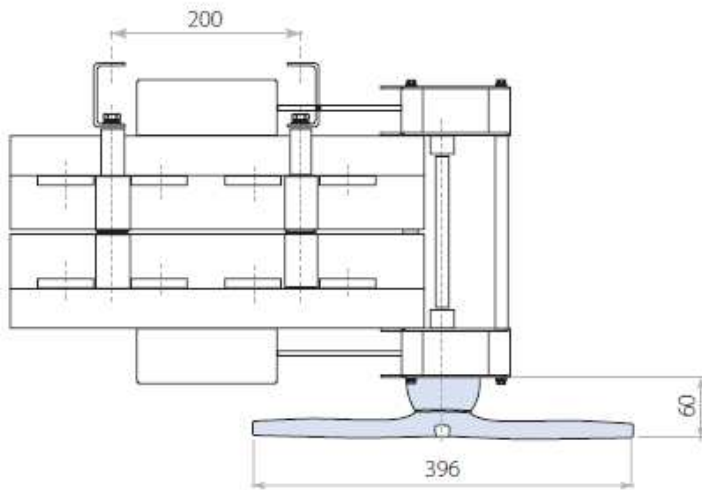
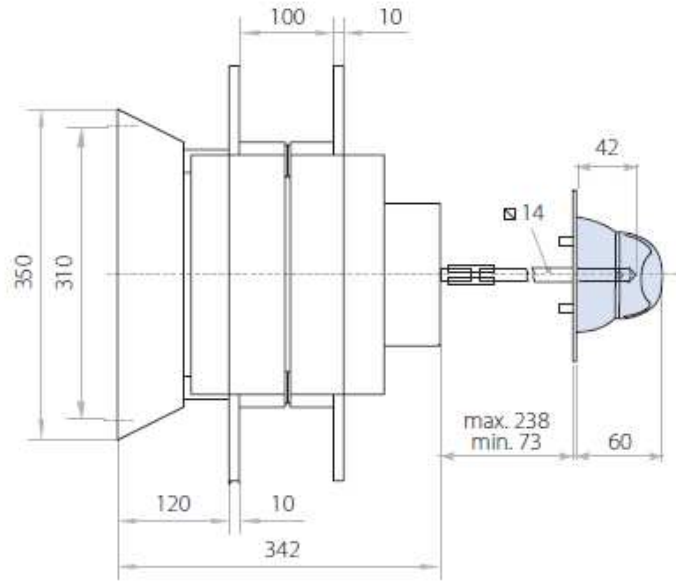
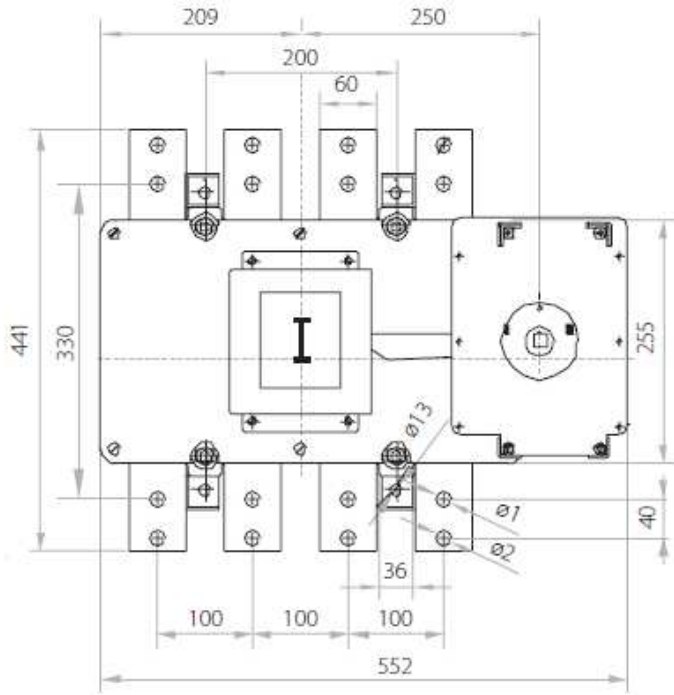
You will find detailed information about our products on our web site [www.telergon.es](http://www.telergon.es)



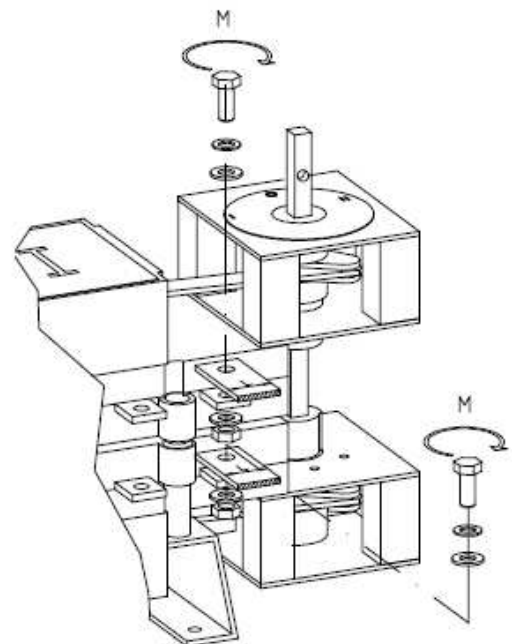
**AC Changeover Switch**  
**S5F18003PS0**  
**S5F18003NS0**

TELERGON, S.A.U.  
Data subject to change without  
notice (printed: 10/02/2014)

# Dimensions



S5000F	$I_{th}$	I	X	$\phi T$	M	N x m	H max. (Cu) mm	L max. (Cu) mm
4	1800 A	441	40	14,1	M14	55	2X7	80



You will find detailed information about our products on our web site [www.telergon.es](http://www.telergon.es)



**AC Changeover Switch**  
**S5F18003PS0**  
**S5F18003NS0**

TELERGON, S.A.U.  
 Data subject to change without  
 notice (printed: 10/02/2014)