

Data sheet:

AC-Changeover switch Model S5000 – 1600A



Electrical data (according to IEC 60947-3)

Thermal current I_{th} (-30 to 50 °C) **1600A**

Rated insulation voltage U_i (V) 1000

Rated impulse withstand voltage U_{imp} (kV) 12

AC Rated operational current I_e (A)

| Voltage (C) | Category of operation | I _e |
|-------------|-----------------------|----------------|
| 400 V | AC21A | 1600 |
| | AC22A | 1600 |

*** Please consult for other voltages and/or category of operation*

Standards. IEC 60947-1 & 3

Quality Telergon, S.A.U.

ISO 9001 & 14001



Management System
ISO 9001:2008
ISO 14001:2004
www.tuv.com
ID 9105053481

Short-circuit behaviour

Short-circuit making capacity (peak value) I_{cm} 75kA

Short-time withstand current (1 sec) (rms) I_{cw} 50kA

Conditional short-circuit current (rms value) -----

Maximum cut-off current (peak value) -----

Connection capacity

Bar (Thickness / Width) (mm) 2x7/80

Rigid cable (mm²) -----

Max. Connecting copper bar (mm) 80

Tightening torque (N·m) 55

Testing as per IEC 60947-3. Approvals

IPH Berlin



Mechanical data

Minimum number of operations (as per standard) without load 10000

Maximum weight (4 pole molded case) (kg) 42,9/47.3

Codes

| Case size (A) | Poles | Code | Code for direct handle |
|---------------|----------|-------------|------------------------|
| Size 4 | 3P | S5F16003PS0 | D5LLI32 |
| Size 4 | 4P(3P+N) | S5F16003NS0 | D5LLI32 |

Accessories

| | | |
|-------------------|---------|-------------|
| Panel handle | D5LLA31 | |
| Auxiliary contact | DS-AU11 | (1N0 + 1NC) |
| | DS-AU12 | (2N0 + 2NC) |

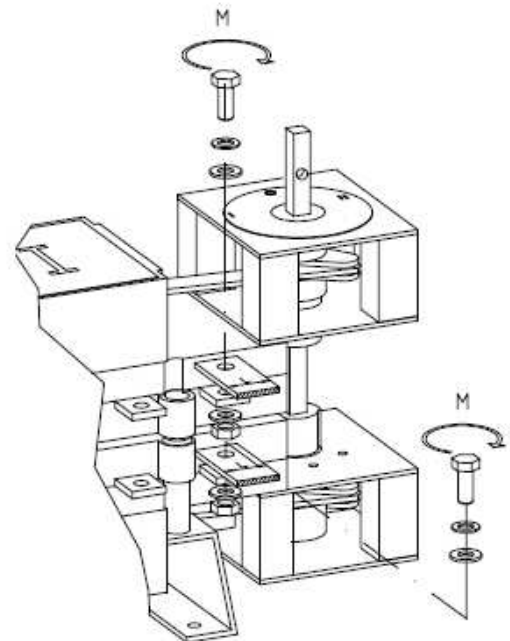
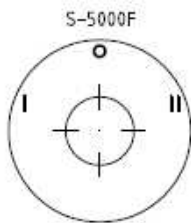
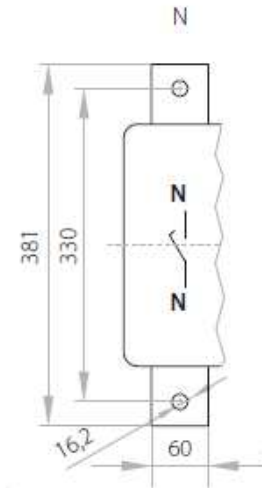
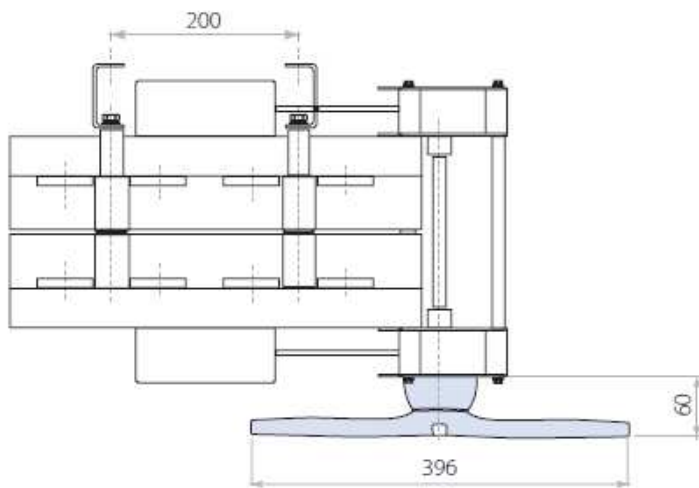
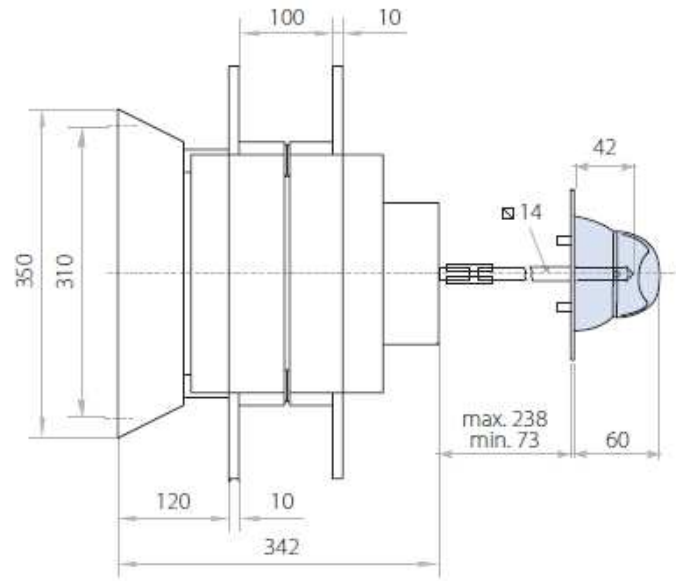
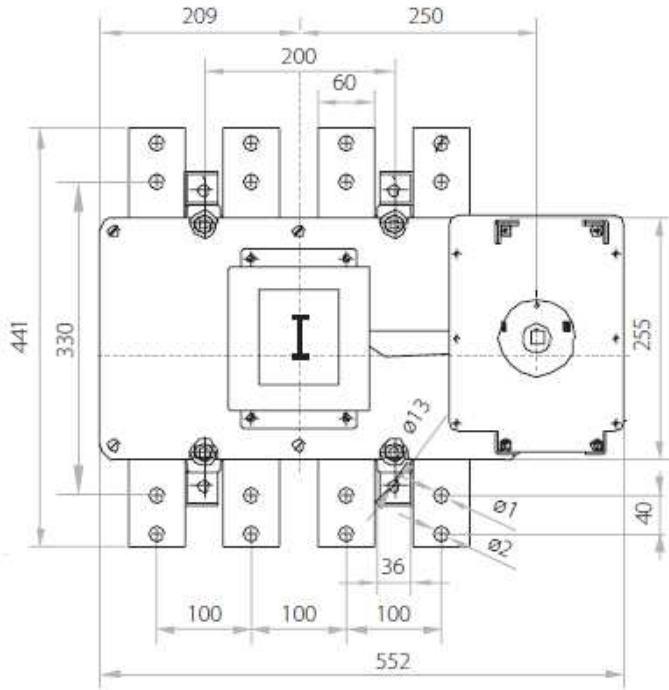
You will find detailed information about our products on our web site www.telergon.es



AC Changeover Switch
S5F16003PS0
S5F16003NS0

TELERGON, S.A.U.
Data subject to change without
notice (printed: 10/02/2014)

Dimensions



| S5000F | I_{th} | I | X | ϕT | M | H | L |
|--------|----------|-----|----|----------|-------|----------------|----------------|
| | | | | | N x m | H max. (Cu) mm | L max. (Cu) mm |
| 4 | 1600 A | 441 | 40 | 14,1 | M14 | 2X7 | 80 |

You will find detailed information about our products on our web site www.telergon.es



AC Changeover Switch
S5F16003PS0
S5F16003NS0

TELERGON, S.A.U.
 Data subject to change without
 notice (printed: 10/02/2014)