

Data sheet:

AC-Changeover switch Model S5000F – 1250A



Electrical data (according to IEC 60947-3)

Thermal current I_{th} (-30 to 50 °C) 1250A

Rated insulation voltage U_i (V) 1000

Rated impulse withstand voltage U_{imp} (kV) 12

AC Rated operational current I_e (A)

Voltage (C)	Category of operation	I _e
400 V	AC21A	1250
	AC22A	1250

*** Please consult for other voltages and/or category of operation*

Standards. IEC 60947-1 & 3

Quality Telergon, S.A.U.

ISO 9001 & 14001



Management System
ISO 9001:2008
ISO 14001:2004
www.tuv.com
ID 9105053481

Short-circuit behaviour

Short-circuit making capacity (peak value) I_{cm} 60kA

Short-time withstand current (1 sec) (rms) I_{cw} 25kA

Conditional short-circuit current (rms value) 72kA

Maximum cut-off current (peak value) 55kA

Connection capacity

Bar (Thickness / Width) (mm) 2x10/50

Rigid cable (mm²) 2x300

Max. Connecting copper bar (mm) 50

Tightening torque (N·m) 45

Testing as per IEC 60947-3. Approvals

Austrian Institute of
Technology



Mechanical data

Minimum number of operations (as per standard) without load 10000

Maximum weight (4 pole molded case) (kg) 18,5/20

Codes

Case size (A)	Poles	Code	Code for direct handle
Size 3	3P	S5F12503RS0	D5LLI32

Accessories

Panel handle	D5LLA31	
Auxiliary contact	DS-AU11	(1N0 + 1NC)
	DS-AU12	(2N0 + 2NC)

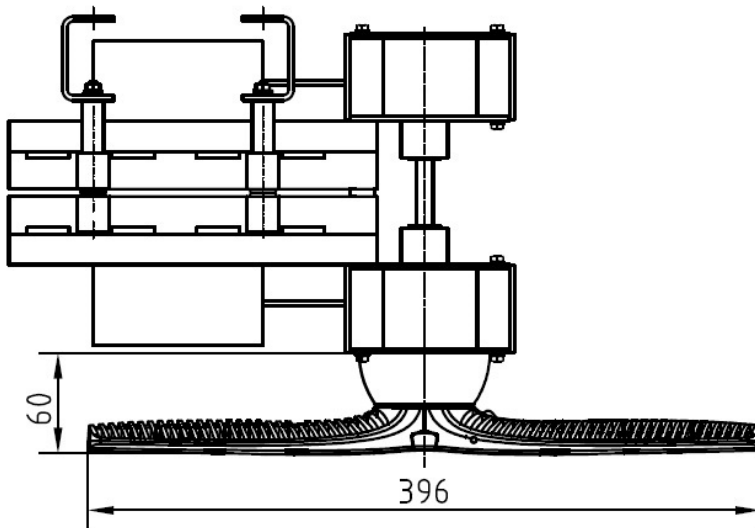
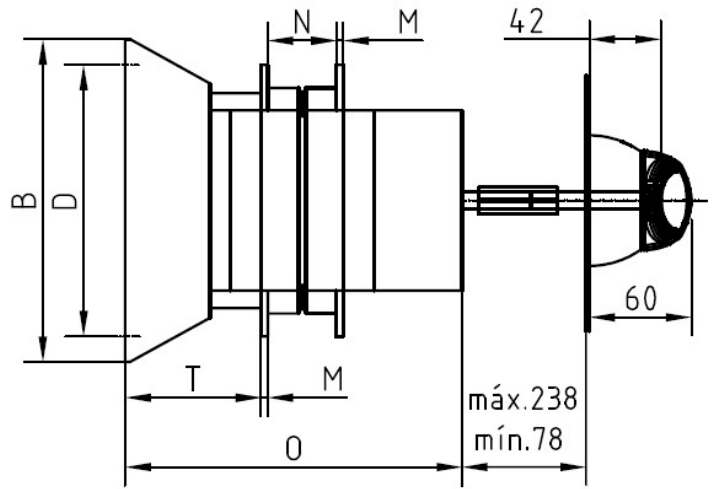
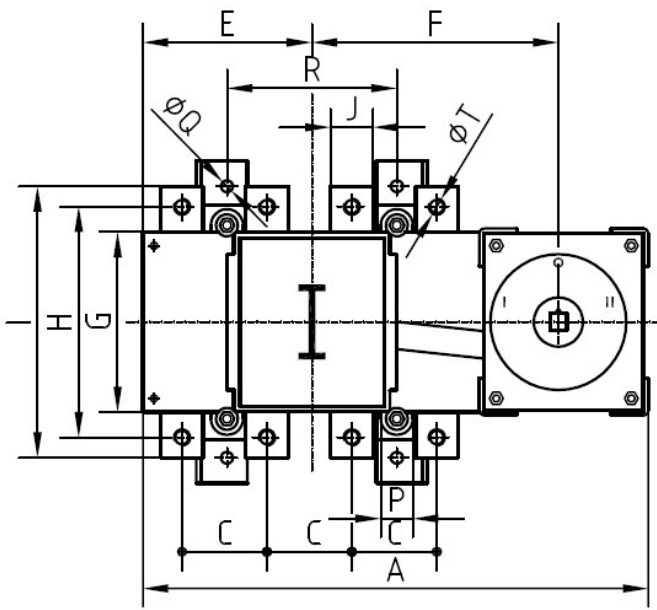
You will find detailed information about our products on our web site www.telergon.es



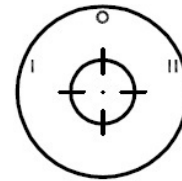
**AC Changeover Switch
S5F12503RS0**

TELERGON, S.A.U.
Data subject to change without
notice (printed: 18/05/2016)

Dimensions



S-5000F



S5000F	I_{th}	A	B	C	D	E	F	G	H	I	J	L	M	N	O	P	ϕQ	R	T	ϕT	M	S max. (Cu) mm ²	H max. (Cu) mm	L max. (Cu) mm
3	1250A	422	280	75	240	150	193	190	250	290	40	285	8	78	284	30	11	150	108	M14	45	2x300	2x10	50

You will find detailed information about our products on our web site www.telergon.es



AC Changeover Switch
S5F12503RS0

TELERGON, S.A.U.
Data subject to change without
notice (printed: 18/05/2016)