

Data sheet:

AC-Changeover switch Model S5000F – 800A



Electrical data (according to IEC 60947-3)

Thermal current I_{th} (-30 to 50 °C) 800A

Rated insulation voltage U_i (V) 1000

Rated impulse withstand voltage U_{imp} (kV) 12

AC Rated operational current I_e (A)

Voltage (C)	Category of operation	I _e
400 V	AC21A	800
	AC22A	800
500 V	AC21A	800
	AC22A	800

*** Please consult for other voltages and/or category of operation*

Standards. IEC 60947-3

Quality Telergon, S.A.U.

ISO 9001 & 14001



Management System
ISO 9001:2008
ISO 14001:2004

www.tuv.com
ID 9105053481

Short-circuit behaviour

Short-circuit making capacity (peak value) I_{cm} 26kA

Short-time withstand current (1 sec) (rms) I_{cw} 16kA

Conditional short-circuit current (rms value)* 100kA

Maximum cut-off current (peak value) 39kA

** With a protective device limiting the cut-off current and the joule integral to the indicated values*

Testing as per IEC 60947-3. Approvals

Austrian Institute of
Technology



Connection capacity

Bar (Thickness / Width) (mm) 2x5/40

Rigid cable (mm²) 2x240

Max. Connecting copper bar (mm) 40

Tightening torque (N·m) 24

Mechanical data

Minimum number of operations (as per standard) without load 10000

Maximum weight (3/4 pole molded case) (kg) 4,2/4,5

Codes

Case size (A)	Poles	Code	Code for direct handle
Size 2	3P	S5F08003PC0	D5LLI22
Size 2	3P+N	S5F08003NC0	D5LLI22

Accessories

Panel handle	D5LLA21
Auxiliary contact	DS-AU11 (1N0 + 1NC)

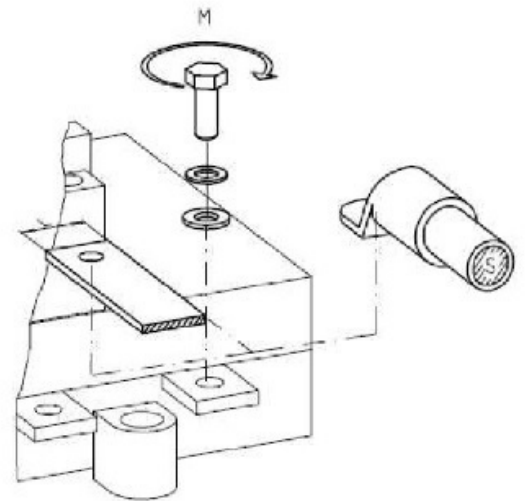
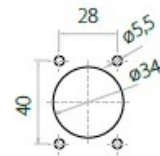
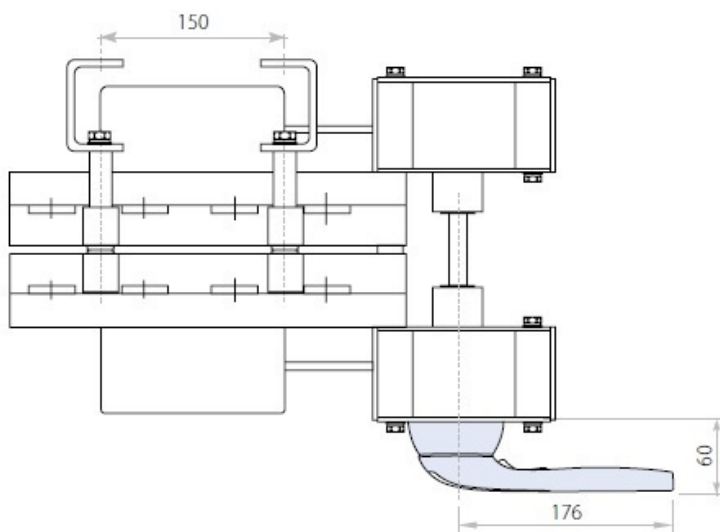
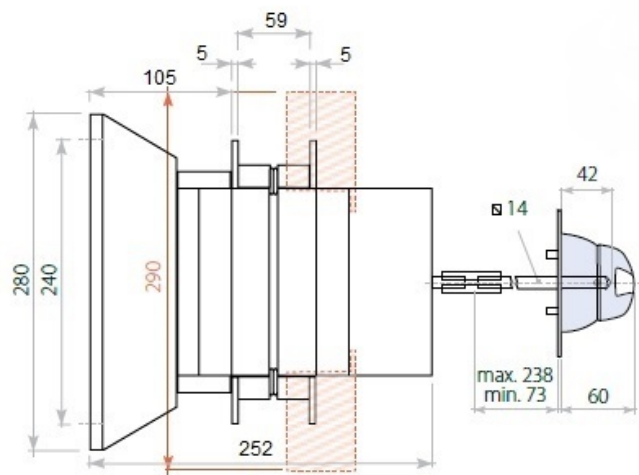
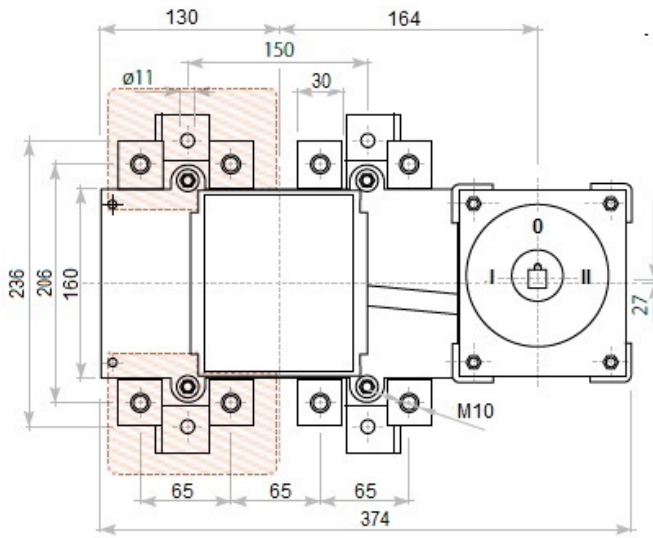
You will find detailed information about our products on our web site www.telergon.com




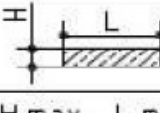


AC Changeover Switch
S5F08003PC0
S5F08003NC0

TELERGON, S.A.U.
Data subject to change without
notice (printed: 24/12/2014)

Dimensions



S5000	I _{th}	 ϕT	 M N x m	 S max. (Cu) mm ²	 H max. L max. (Cu) mm (Cu) mm	
					2x5	40
2	800A	M10	24	2 x 240	2x5	40

You will find detailed information about our products on our web site www.telergon.com



AC Changeover Switch
S5F08003PC0
S5F08003NC0

TELERGON, S.A.U.
 Data subject to change without
 notice (printed: 24/12/2014)