

Data sheet:

AC-Changeover switch Model S5000F – 630A



Electrical data (according to IEC 60947-3)

Thermal current I_{th} (-30 to 50 °C) 630A

Rated insulation voltage U_i (V) 1000

Rated impulse withstand voltage U_{imp} (kV) 12

AC Rated operational current I_e (A)

Voltage (C)	Category of operation	I _e
400 V	AC21A	630
	AC22A	630

*** Please consult for other voltages and/or category of operation*

Short-circuit behaviour

Short-circuit making capacity (peak value) I_{cm} 26kA

Short-time withstand current (1 sec) (rms) I_{cw} 16kA

Conditional short-circuit current (rms value) 100kA

Maximum cut-off current (peak value) 39kA

Connection capacity

Bar (Thickness / Width) (mm) 2x5/40

Rigid cable (mm²) 2x240

Max. Connecting copper bar (mm) 40

Tightening torque (N·m) 24

Standards. IEC 60947-1 & 3

Quality Telergon, S.A.U.

ISO 9001 & 14001



Management System
ISO 9001:2008
ISO 14001:2004
www.tuv.com
ID 9105053481

Testing as per IEC 60947-3. Approvals

Austrian Institute of
Technology



Mechanical data

Minimum number of operations (as per standard) without load 10000

Maximum weight (4 pole molded case) (kg) 12,2/13

Codes

Case size (A)	Poles	Code	Code for direct handle
Size 2	3P	S5F06303PRO	D5LLI22
Size 2	4P (3P+N)	S5F06303NR0	D5LLI22

Accessories

Panel handle	D5LLA21	
Auxiliary contact	DS-AU11	(1N0 + 1NC)
	DS-AU12	(2N0 + 2NC)

Terminal Shrouds DS-CU21

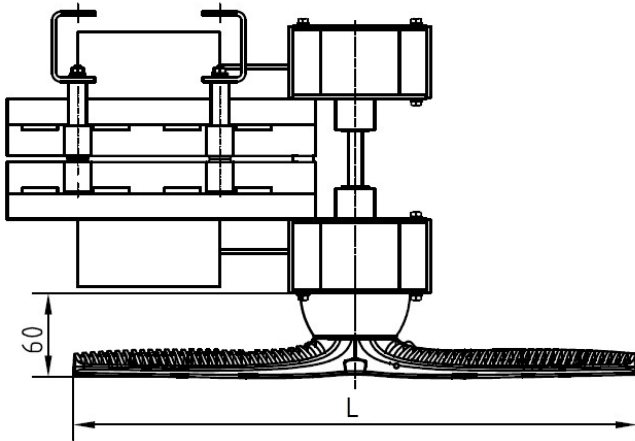
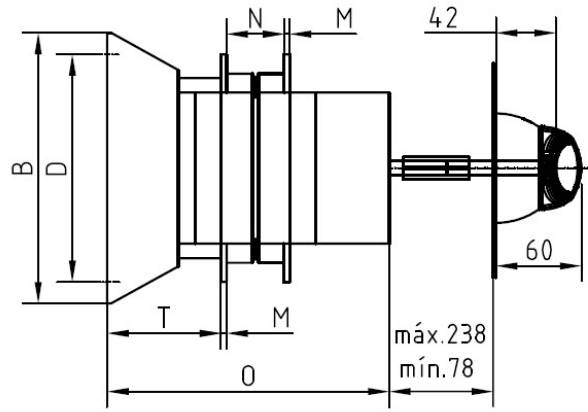
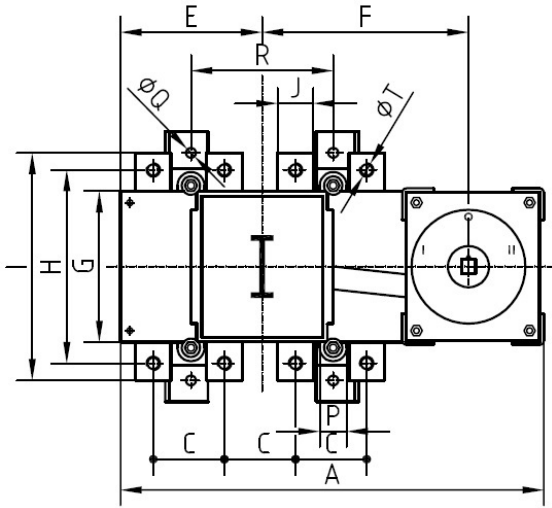
You will find detailed information about our products on our web site www.telergon.es



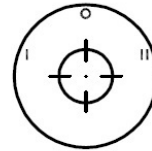
**AC Changeover Switch
S5F06303PR0-NR0**

TELERGON, S.A.U.
Data subject to change without
notice (printed: 08/06/2016)

Dimensions



S-5000F



S5000F	I_n	A	B	C	D	E	F	G	H	I	J	L	M	N	O	P	ϕQ	R	T	ϕT	M	S max. (Cu)mm ²	H max. (Cu)mm	L max. (Cu)mm
2	630A	373	280	65	240	130	164	160	205	235	30	166	5	59	252	25	11	150	105	M10	24	2x 240	2x 5	40

You will find detailed information about our products on our web site www.telergon.es



AC Changeover Switch
S5F06303PR0-NR0

TELERGON, S.A.U.
Data subject to change without
notice (printed: 08/06/2016)