

## Data sheet:

# AC-Changeover Switch Model S5000F – 400A



### Electrical data (according to IEC 60947-3)

**Thermal current I<sub>th</sub> (-30 to 50 °C) 400A**

Rated insulation voltage U<sub>i</sub> (V) 1000

Rated impulse withstand voltage U<sub>imp</sub> (kV) 8

### AC Rated operational current I<sub>e</sub> (A)

Voltage (C)	Category of operation	I <sub>e</sub>
400 V	AC21A	400
	AC22A	400
500 V	AC21A	400
	AC22A	400

*\*\* Please consult for other voltages and/or category of operation*

Standards. IEC 60947-3

Quality Telergon, S.A.U.

ISO 9001 & 14001



### Short-circuit behaviour

Short-circuit making capacity (peak value) I<sub>cm</sub> 20kA

Short-time withstand current (1 sec) (rms) I<sub>cw</sub> 12kA

Conditional short-circuit current (rms value) \* 100kA

Maximum cut-off current (peak value) 33kA

*\* With a protective device limiting the cut-off current and the joule integral to the indicated values*

Testing as per IEC 60947-3. Approvals

Austrian Institute of  
Technology



### Connection capacity

Bar (Thickness / Width) (mm) 7/40

Rigid cable (mm<sup>2</sup>) 240

Max. Connecting copper bar (mm) 40

Tightening torque (N·m) 24

### Mechanical data

Minimum number of operations (as per standard) without load 20000

Maximum weight (3/4 pole molded case) (kg) 1,9/2,1

### Codes

Case size (A)	Poles	Code	Code for direct handle
Size 1	3P	S5F04003PC0	D5LLI12
Size 1	3P+N	S5F04003NC0	D5LLI12

### Accessories

Panel handle	D5LLA11
Auxiliary contact	DS-AU11 (1N0 + 1NC)

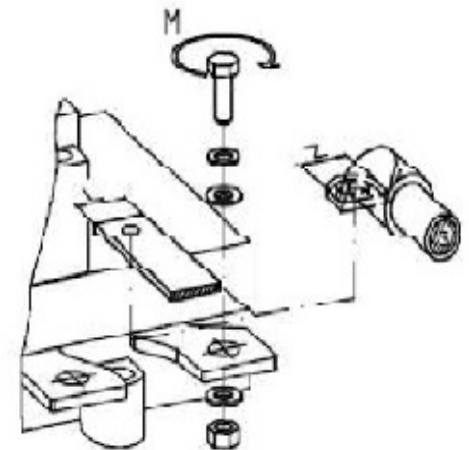
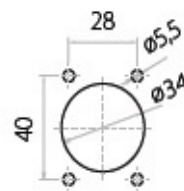
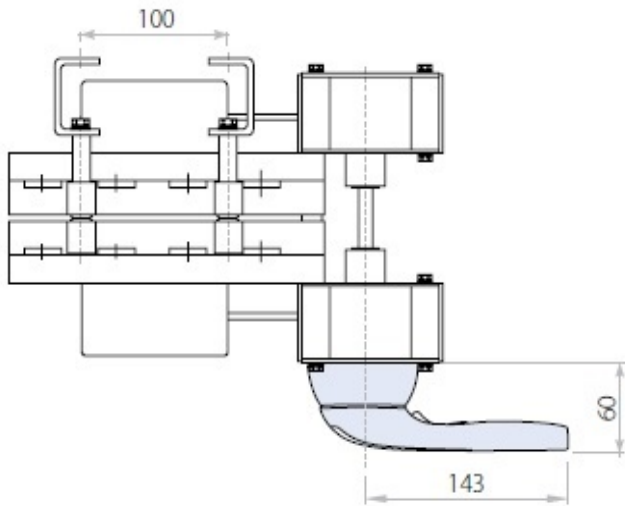
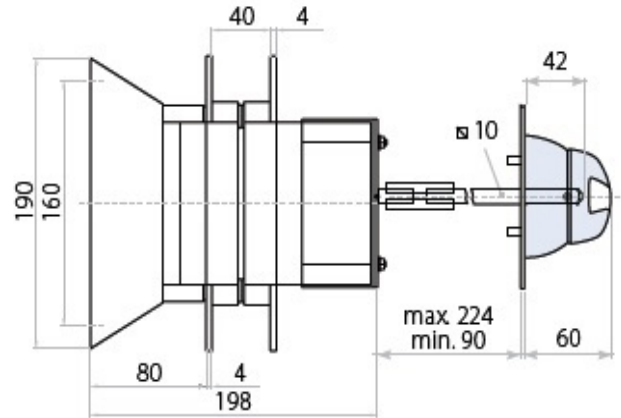
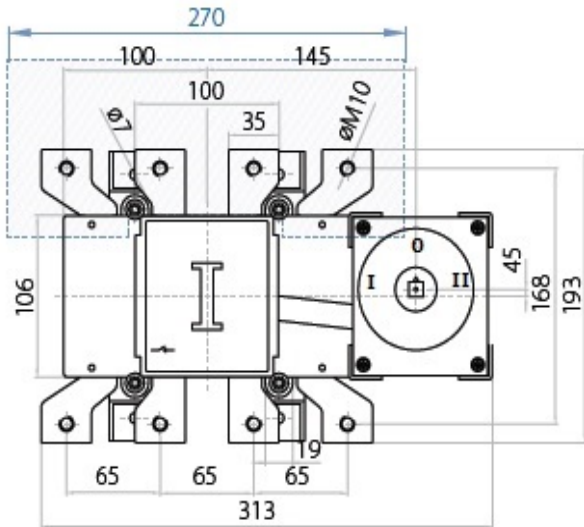
You will find detailed information about our products on our web site [www.telergon.com](http://www.telergon.com)



**AC Changeover Switch**  
**S5F04003PC0**  
**S5F04003NC0**

TELERGON, S.A.U.  
Data subject to change without  
notice (printed: 05/05/2014)

# Dimensions



55000	n	C		ØT	M	S max. (Cu) mm <sup>2</sup>	Z max.	I	
		3P	4P					H max. (Cu) mm	L max. (Cu) mm
1	400A	-	15	M10	24	240	44	7	40

You will find detailed information about our products on our web site [www.telergon.com](http://www.telergon.com)



**AC Changeover Switch**  
**S5F04003PC0**  
**S5F04003NC0**

TELERGON, S.A.U.  
 Data subject to change without  
 notice (printed: 05/05/2014)