

## Data sheet:

# AC-Changeover switch Model S5000F – 250A



### Electrical data (according to IEC 60947-3)

**Thermal current I<sub>th</sub> (-30 to 50 °C) 250A**

Rated insulation voltage U<sub>i</sub> (V) 1000

Rated impulse withstand voltage U<sub>imp</sub> (kV) 8

### AC Rated operational current I<sub>e</sub> (A)

Voltage (C)	Category of operation	I <sub>e</sub>
400 V	AC21A	250
	AC22A	250

*\*\* Please consult for other voltages and/or category of operation*

**Standards. IEC 60947-1 & 3**

**Quality Telergon, S.A.U.**

ISO 9001 & 14001



Management System  
ISO 9001:2008  
ISO 14001:2004  
www.tuv.com  
ID 9105053481

### Short-circuit behaviour

Short-circuit making capacity (peak value) I<sub>cm</sub> 20kA

Short-time withstand current (1 sec) (rms) I<sub>cw</sub> 12kA

Conditional short-circuit current (rms value) 100kA

Maximum cut-off current (peak value) 33kA

### Connection capacity

Bar (Thickness / Width) (mm) 7/25

Rigid cable (mm<sup>2</sup>) 185

Max. Connecting copper bar (mm) 25

Tightening torque (N·m) 18

**Testing as per IEC 60947-3. Approvals**

Austrian Institute of  
Technology



### Mechanical data

Minimum number of operations (as per standard) without load 20000

Maximum weight (4 pole molded case) (kg) 5,5/5,8

### Codes

Case size (A)	Poles	Code	Code for direct handle
Size 3	3P	S5F02503PR0	D5LLI12
Size 3	4P (3P+N)	S5F02503NR0	D5LLI12

### Accessories

Panel handle	D5LLA11	
Auxiliary contact	DS-AU11	(1N0 + 1NC)
	DS-AU12	(2N0 + 2NC)
Terminal Shrouds	DS-CU11	

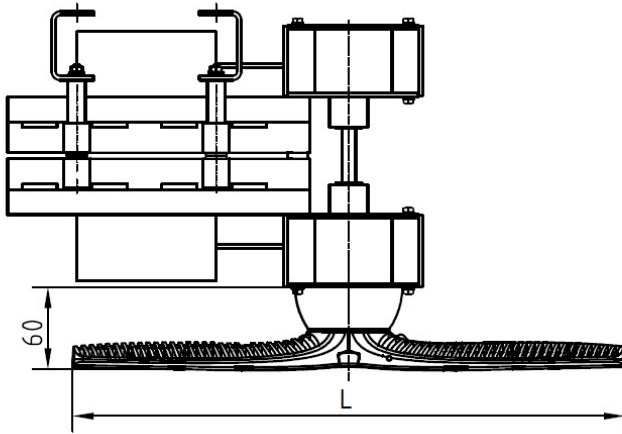
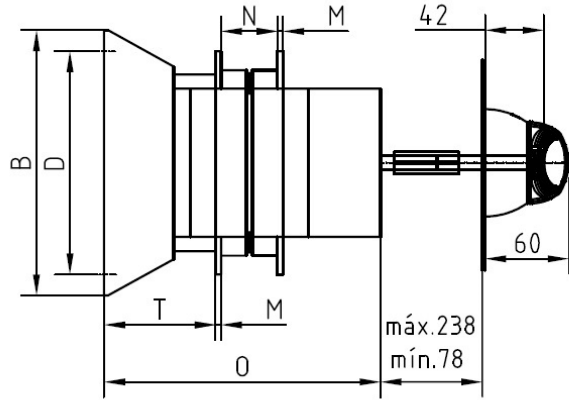
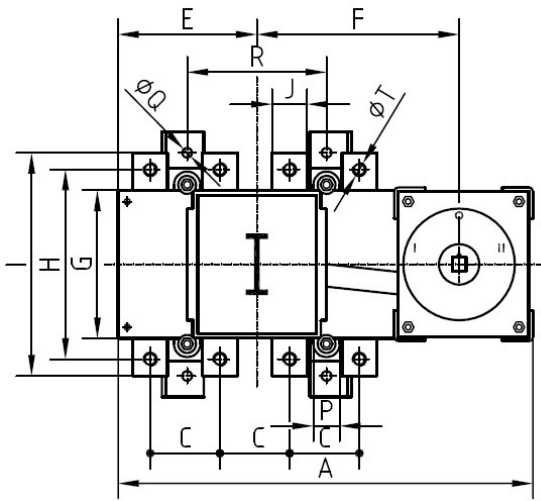
You will find detailed information about our products on our web site [www.telergon.es](http://www.telergon.es)



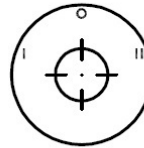
**AC Changeover Switch  
S5F02503PR0-NR0**

TELERGON, S.A.U.  
Data subject to change without  
notice (printed: 08/06/2016)

# Dimensions



S-5000F



S5000F	$I_n$	A	B	C	D	E	F	G	H	I	J	L	M	N	O	P	$\phi Q$	R	T	$\phi T$	M	S max. (Cu) mm <sup>2</sup>	H max. (Cu) mm	L max. (Cu) mm
1	250 A	298	190	50	160	100	145	106	143	167	25	143	4	40	198	19	7	100	80	M10	18	185	7	25

You will find detailed information about our products on our web site [www.telergon.es](http://www.telergon.es)



**AC Changeover Switch**  
**S5F02503PR0-NR0**

TELERGON, S.A.U.  
Data subject to change without  
notice (printed: 08/06/2016)