

\*\* Photo sample. Similar size and design, but different rating and lugs.

**Standards. IEC 60947-1 & 3**

**Quality Telergon, S.A.U.**

ISO 9001 & 14001



**Testing as per IEC 60947-3. Approvals**

Austrian Institute of Technology



**Electrical data (according to IEC 60947-3)**

**Thermal current I<sub>th</sub> (-30 to 50 °C) 250A**

Rated insulation voltage U<sub>i</sub> (V) 1000  
 Rated impulse withstand voltage U<sub>imp</sub> (kV) 8

AC Rated operational current I <sub>e</sub> (A)		
Voltage (C)	Category of operation	I <sub>e</sub>
400 V	AC21A	250
	AC22B	250

\*\* Please consult for other voltages and/or category of operation

**Short-circuit behaviour**

Short-circuit making capacity (peak value) I <sub>cm</sub>	13kA
Short-time withstand current (1 sec) (rms) I <sub>cw</sub>	7kA
Conditional short-circuit current (rms value)	100kA
Maximum cut-off current (peak value)	20kA

**Connection capacity**

Bar (Thickness / Width) (mm)	5/30
Rigid cable (mm <sup>2</sup> )	120
Max. Connecting copper bar (mm)	30
Tightening torque (N·m)	13/18

**Mechanical data**

Minimum number of operations (as per standard) without load	30000
Maximum weight (4 pole molded case) (kg)	1,9/2,2

**Codes**

Case size (A)	Poles	Code	Code for direct handle
Size 0	3P	S5F02503PD0	D5LSI01
Size 0	4P(3P+N)	S5F02503ND0	D5LSI01

**Accessories**

Panel handle	D5LLA01	
Auxiliary contact	DS-AU11	(1N0 + 1NC)
	DS-AU12	(2N0 + 2NC)

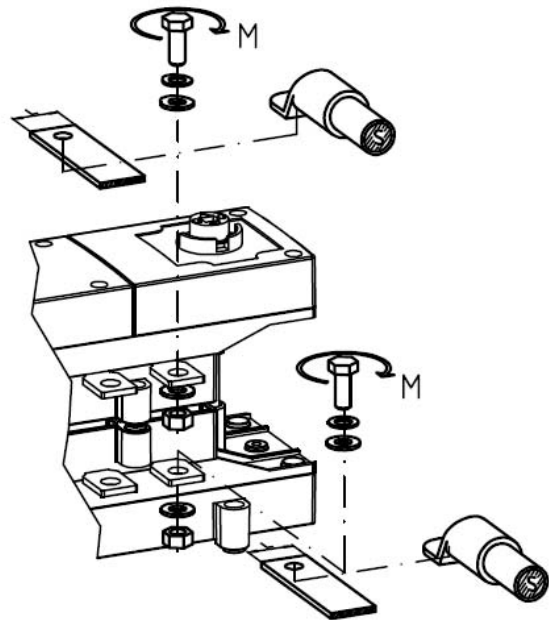
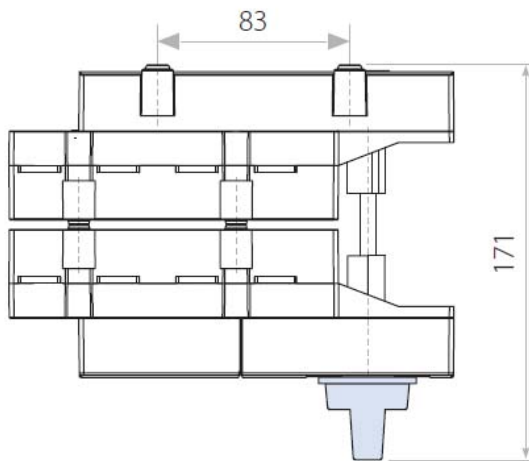
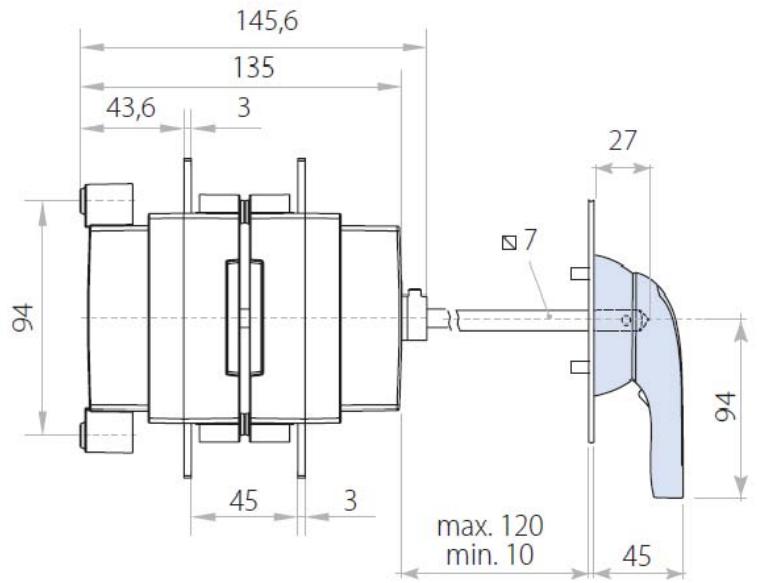
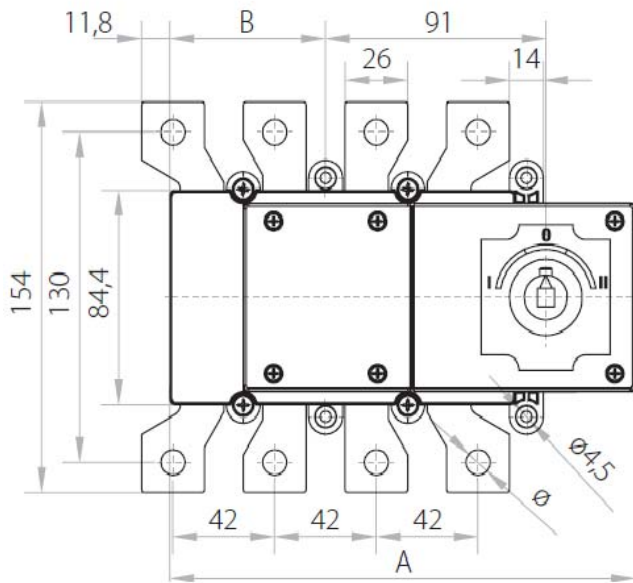
You will find detailed information about our products on our web site [www.telergon.es](http://www.telergon.es)



**AC Changeover Switch**  
**S5F02503PD0**  
**S5F02503ND0**

TELERGON, S.A.U.  
 Data subject to change without notice (printed: 23/03/2015)

# Dimensions



S5000	$I_{th}$	A		B		$\phi T$	M N×m	S max. (Cu) mm <sup>2</sup>	Z max.	L	
		3P	4P	3P	4P					H max. (Cu) mm	L max. (Cu) mm
0	250A	181	192	53	64	M10	18	120	30	5	30

You will find detailed information about our products on our web site [www.telergon.es](http://www.telergon.es)



**AC Changeover Switch**  
**S5F02503PD0**  
**S5F02503ND0**

TELERGON, S.A.U.  
 Data subject to change without  
 notice (printed: 23/03/2015)