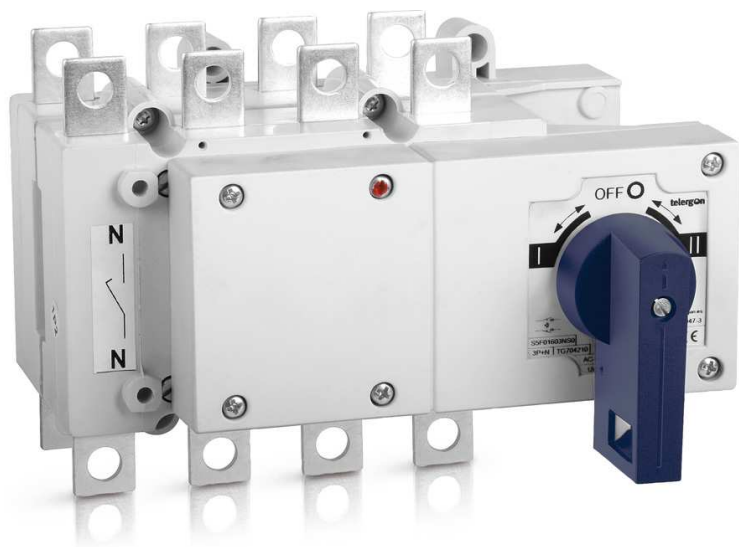


Data sheet:

AC-Changeover switch 200A



** Photo sample. Similar size and design, but different rating and lugs.

Standards. IEC 60947-1 & 3

Quality Telergon, S.A.U.

ISO 9001 & 14001



Testing as per IEC 60947-3. Approvals

Austrian Institute of Technology



Electrical data (according to IEC 60947-3)

Thermal current I_{th} (-30 to 50 °C) **200A**

Rated insulation voltage U_i (V) 1000

Rated impulse withstand voltage U_{imp} (kV) 8

AC Rated operational current I_e (A)

Voltage (C)	Category of operation	I _e
400 V	AC21A	200
	AC22A	200

** Please consult for other voltages and/or category of operation

Short-circuit behaviour

Short-circuit making capacity (peak value) I_{cm} 13kA

Short-time withstand current (1 sec) (rms) I_{cw} 7kA

Conditional short-circuit current (rms value) 100kA

Maximum cut-off current (peak value) 20kA

Connection capacity

Bar (Thickness / Width) (mm) 5/30

Rigid cable (mm²) 120

Max. Connecting copper bar (mm) 30

Tightening torque (N·m) 13/18

Mechanical data

Minimum number of operations (as per standard) without load 30000

Maximum weight (4 pole molded case) (kg) 1,9/2,2

Codes

Case size (A)	Poles	Code	Code for direct handle
Size 0	3P	S5F02003PS0	D5LSI01
Size 0	4P(3P+N)	S5F02003NS0	D5LSI01

Accessories

Panel handle	D5LL	
	A01	
Auxiliary contact	DS-AU11	(1N0 + 1NC)
	DS-AU12	(2N0 + 2NC)

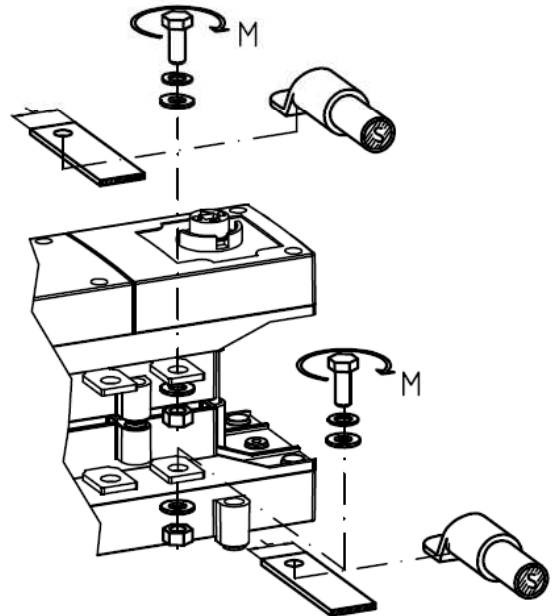
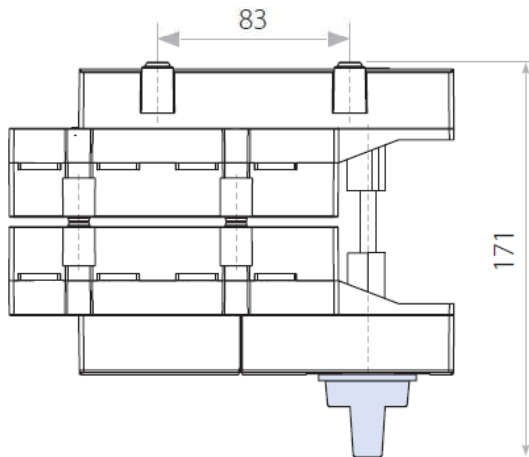
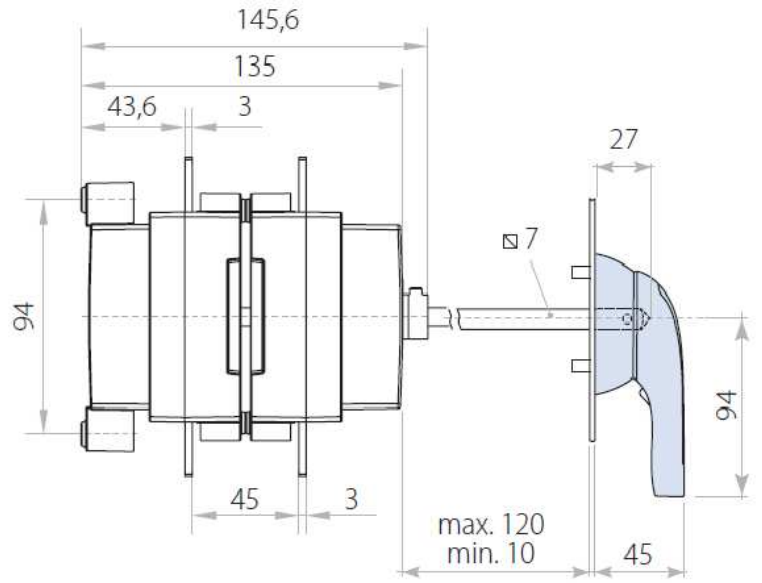
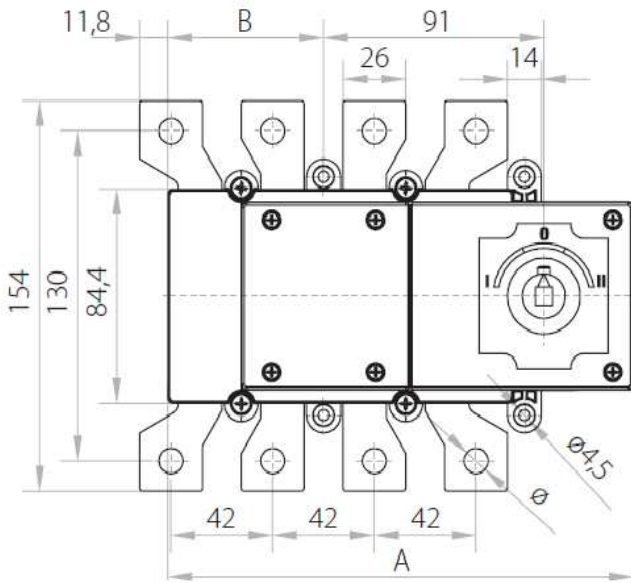
You will find detailed information about our products on our web site www.telergon.es



AC Changeover Switch
S5F02003PS0
S5F02003NS0

TELERGON, S.A.U.
Data subject to change without
notice (printed: 10/02/2014)

Dimensions



S5000	I _{th}	A		B		φT	M N×m	S max. (Cu) mm ²	Z max.	L	
		3P	4P	3P	4P					H max. (Cu) mm	L max. (Cu) mm
0	200 A	181	192	53	64	M10	18	120	30	5	30

You will find detailed information about our products on our web site www.telergon.es



AC Changeover Switch
S5F02003PS0
S5F02003NS0

TELERGON, S.A.U.
 Data subject to change without
 notice (printed: 10/02/2014)