

Data sheet:

AC-Load break switch Model S5000 – 800A



Electrical data (according to IEC 60947-3)

Thermal current I_{th} (-30 to 50 °C) **800A**

Rated insulation voltage U_i (V) 1000
Rated impulse withstand voltage U_{imp} (kV) 12

AC Rated operational current I_e (A)

Voltage (C)	Category of operation	I_e
400 V	AC21A	800
	AC22A	800
500 V	AC21A	800
	AC22A	800

** Please consult for other voltages and/or category of operation

Standards. IEC 60947-1 & 3

Quality Telergon, S.A.U.

ISO 9001 & 14001



Short-circuit behaviour

Short-circuit making capacity (peak value) I_{cm}	26kA
Short-time withstand current (1 sec) (rms) I_{cw}	16kA
Conditional short-circuit current (rms value)	100kA
Maximum cut-off current (peak value)	39kA

Testing as per IEC 60947-3. Approvals

Austrian Institute of
Technology



Connection capacity

Bar (Thickness / Width) (mm)	2x5/50
Rigid cable (mm ²)	2x240
Max. Connecting copper bar (mm)	50
Tightening torque (N·m)	24

Mechanical data

Minimum number of operations (as per standard) without load	10000
Maximum weight (4 pole molded case) (kg)	4,2/4,5

Codes

Case size (A)	Poles	Code	Code for direct handle
Size 2	3P	S5-08003PC0	DS-LI21
Size 2	4P (3P+N)	S5-08003NC0	DS-LI21

Accessories

Panel handle	DS-LA21
Protective plate	DS-CU22
Auxiliary contact	D5LAU01

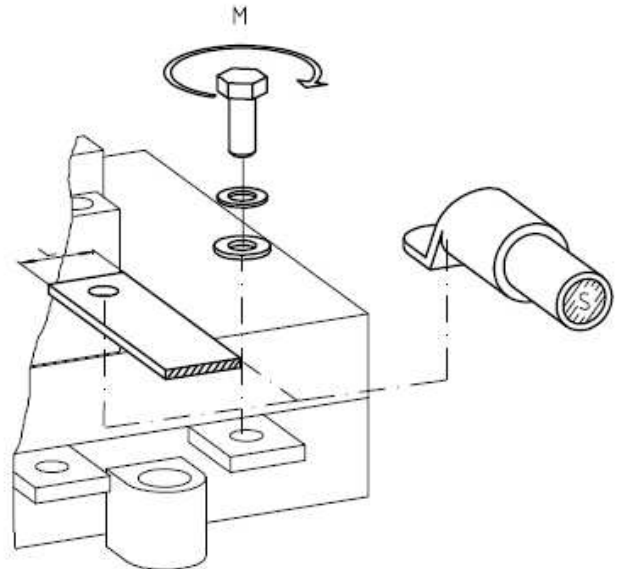
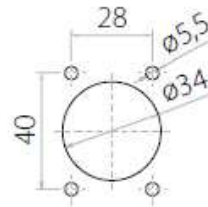
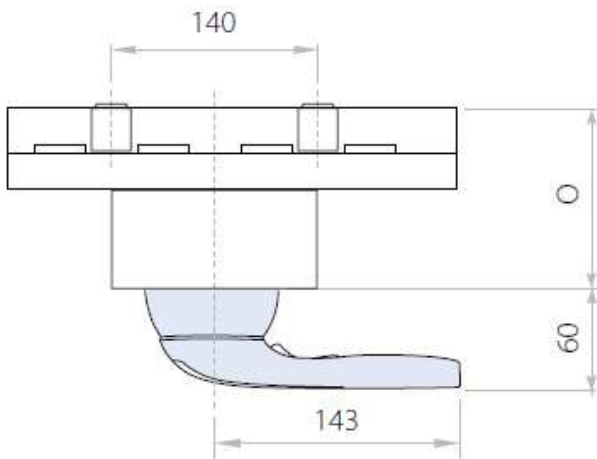
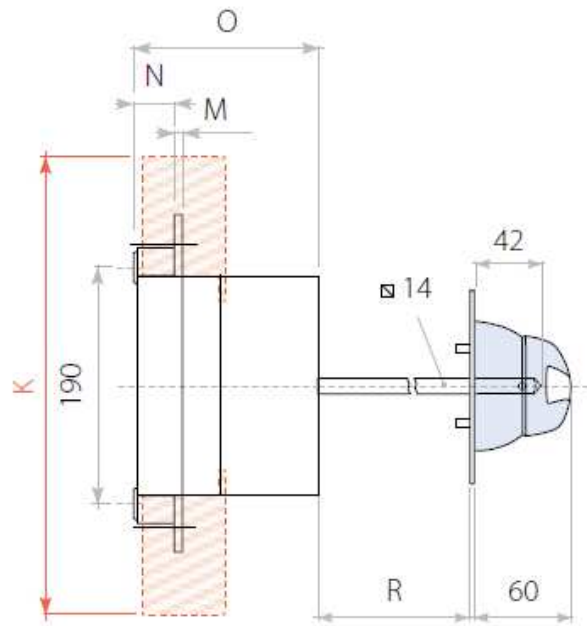
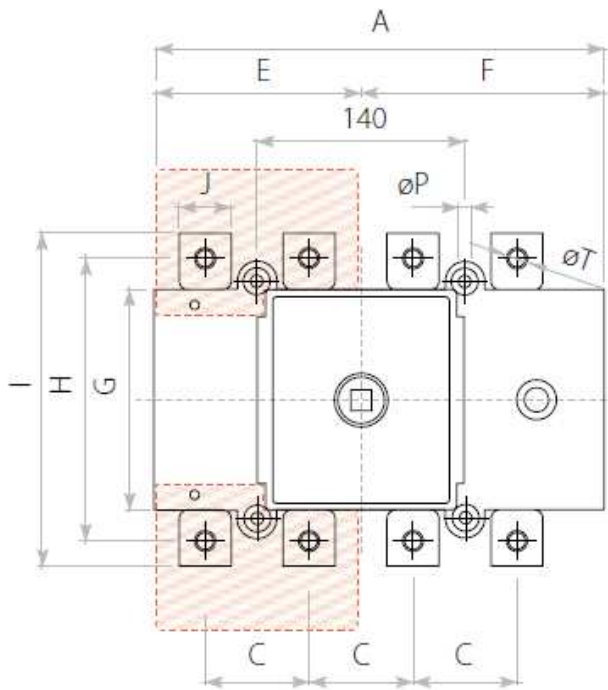
You will find detailed information about our products on our web site www.telergon.es



AC Switch-Disconnecter
S5-08003PC0
S5-08003NC0

TELERGON, S.A.U.
Data subject to change without
notice (printed: 28/02/2013)

Dimensions



S5000	I_{th}	A	C	E	F	G	H	I	J	K	L	M	N	O	R		ϕP	Q	ϕT	M N×m	S max. (Cu)mm ²	H max. L max. (Cu)mm (Cu)mm	
															MAX	MIN							
2	800A	275	65	130	145	160	205	235	30	290	245	5	30	121	119	18	6,5	25	M10	24	2x240	2x5	50

You will find detailed information about our products on our web site www.telergon.es



AC Switch-Disconnecter
S5-08003PC0
S5-08003NC0

TELERGON, S.A.U.
 Data subject to change without
 notice (printed: 28/02/2013)