

## Data sheet:

### AC-Load break switch Model S5000 – 400A



#### Electrical data (according to IEC 60947-3)

Thermal current  $I_{th}$  (-30 to 50 °C) **400A**

Rated insulation voltage  $U_i$  (V) 1000

Rated impulse withstand voltage  $U_{imp}$  (kV) 8

#### AC Rated operational current $I_e$ (A)

Voltage (C)	Category of operation	$I_e$
400 V	AC21A	400
	AC22A	400
500 V	AC21A	400
	AC22A	400

*\*\* Please consult for other voltages and/or category of operation*

Standards. IEC 60947-1 & 3

Quality Telergon, S.A.U.

ISO 9001 & 14001



Testing as per IEC 60947-3. Approvals

Austrian Institute of  
Technology



#### Short-circuit behaviour

Short-circuit making capacity (peak value)  $I_{cm}$  20kA

Short-time withstand current (1 sec) (rms)  $I_{cw}$  12kA

Conditional short-circuit current (rms value) 100kA

Maximum cut-off current (peak value) 33kA

#### Connection capacity

Bar (Thickness / Width) (mm) 7/40

Rigid cable (mm<sup>2</sup>) 240

Max. Connecting copper bar (mm) 40

Tightening torque (N·m) 24

#### Mechanical data

Minimum number of operations (as per standard) without load 20000

Maximum weight (4 pole molded case) (kg) 1,9/2,1

#### Codes

Case size (A)	Poles	Code	Code for direct handle
Size 1	3P	S5-04003PC0	DS-SI11
Size 1	4P (3P+N)	S5-04003NC0	DS-SI11

#### Accessories

Panel handle	DS-SA11
Protective plate	DS-CU12
Auxiliary contact	D5LAU01

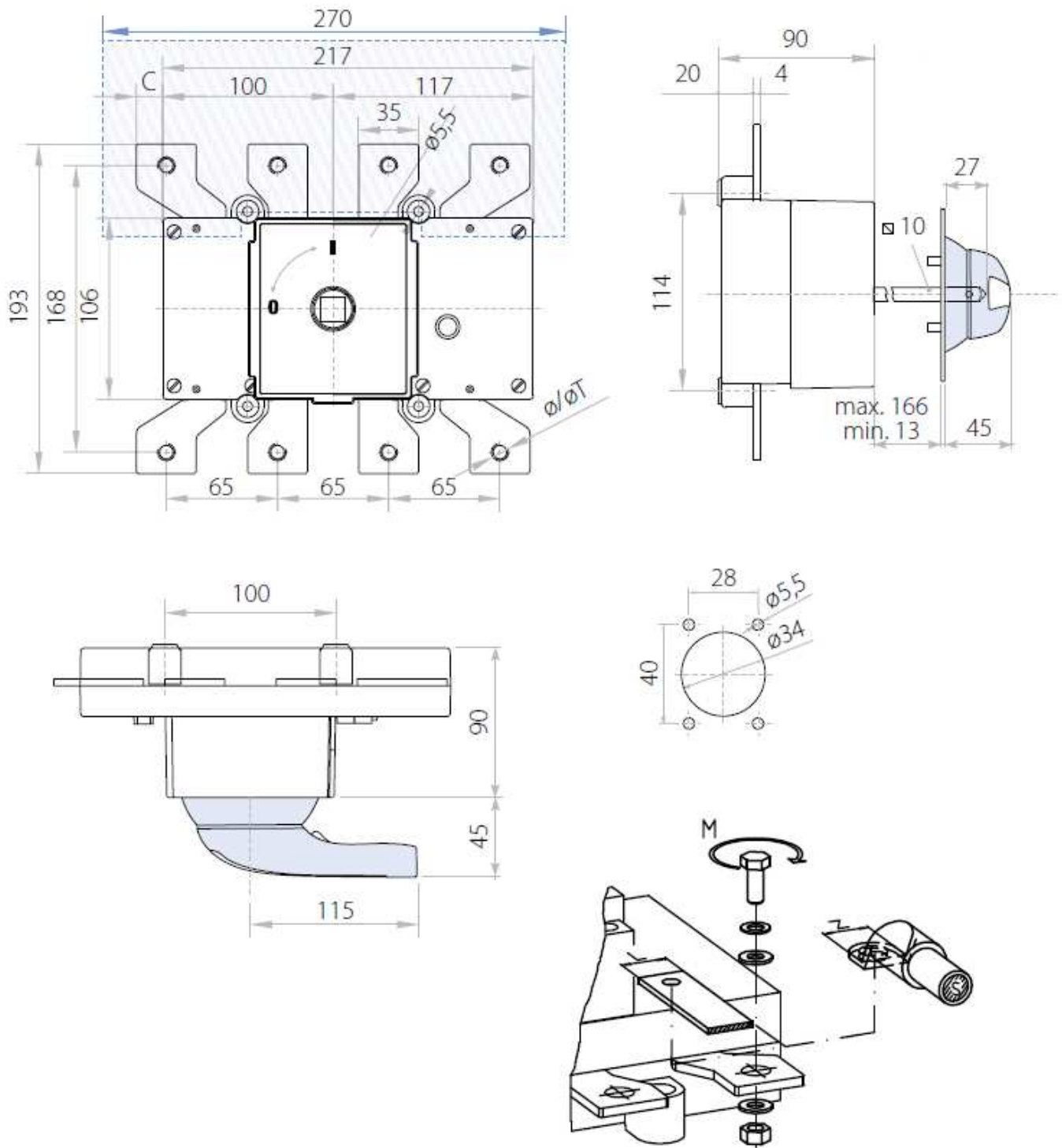
You will find detailed information about our products on our web site [www.telergon.es](http://www.telergon.es)



AC Switch-Disconnecter  
S5-04003PC0  
S5-04003NC0

TELERGON, S.A.U.  
Data subject to change without  
notice (printed: 26/02/2013)

# Dimensions



S5000	I <sub>th</sub>	C		ØT	M N×m	S max. (Cu) mm <sup>2</sup>	Z max.	L	
		3P	4P					H max. (Cu) mm	L max. (Cu) mm
1	400A	-	15	M10	24	240	44	6	40

You will find detailed information about our products on our web site [www.telergon.es](http://www.telergon.es)



**AC Switch-Disconnecter**  
**S5-04003PC0**  
**S5-04003NC0**

TELERGON, S.A.U.  
 Data subject to change without  
 notice (printed: 26/02/2013)