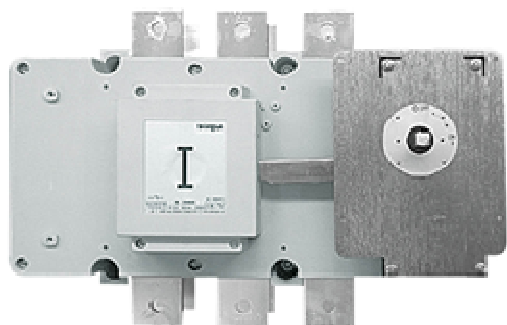


Data sheet:

AC-Load break switch Model S5000 – 2000A



Standards. IEC 60947-1 & 3

Quality Telergon, S.A.U.

ISO 9001 & 14001



Testing as per IEC 60947-3. Approvals

IPH Berlin



Electrical data (according to IEC 60947-3)

Thermal current I_{th} (-30 to 50 °C) **2000A**

Rated insulation voltage U_i (V) 1000

Rated impulse withstand voltage U_{imp} (kV) 8

AC Rated operational current I_e (A)

Voltage (C)	Category of operation	I _e
400 V	AC21A	2000
	AC22A	2000
500 V	AC21A	2000
	AC22A	2000

*** Please consult for other voltages and/or category of operation*

Short-circuit behaviour

Short-circuit making capacity (peak value) I_{cm} 100kA

Short-time withstand current (1 sec) (rms) I_{cw} 50kA

Conditional short-circuit current (rms value)

Maximum cut-off current (peak value)

Connection capacity

Bar (Thickness / Width) (mm) 2x10/80

Rigid cable (mm²) 2000

Max. Connecting copper bar (mm) 80

Tightening torque (N·m) 80

Mechanical data

Minimum number of operations (as per standard) without load 2500

Maximum weight (4 pole molded case) (kg) 50/58

Codes

Case size (A)	Poles	Code	Code for direct handle
Size 5	3P	S5-20003PS0	DS-LI41
Size 5	4P(3P+N)	S5-20003NS0	DS-LI41

Accessories

Panel handle	DS-LA41
Auxiliary contact	DS-AU11

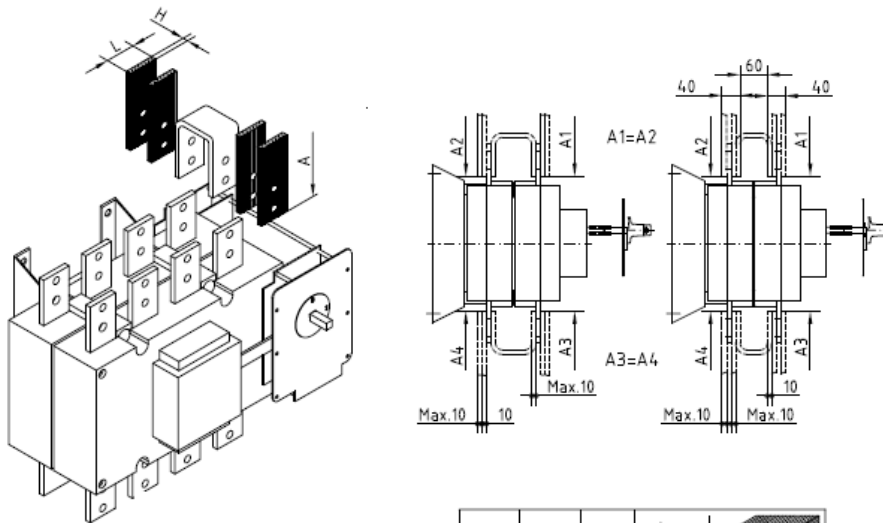
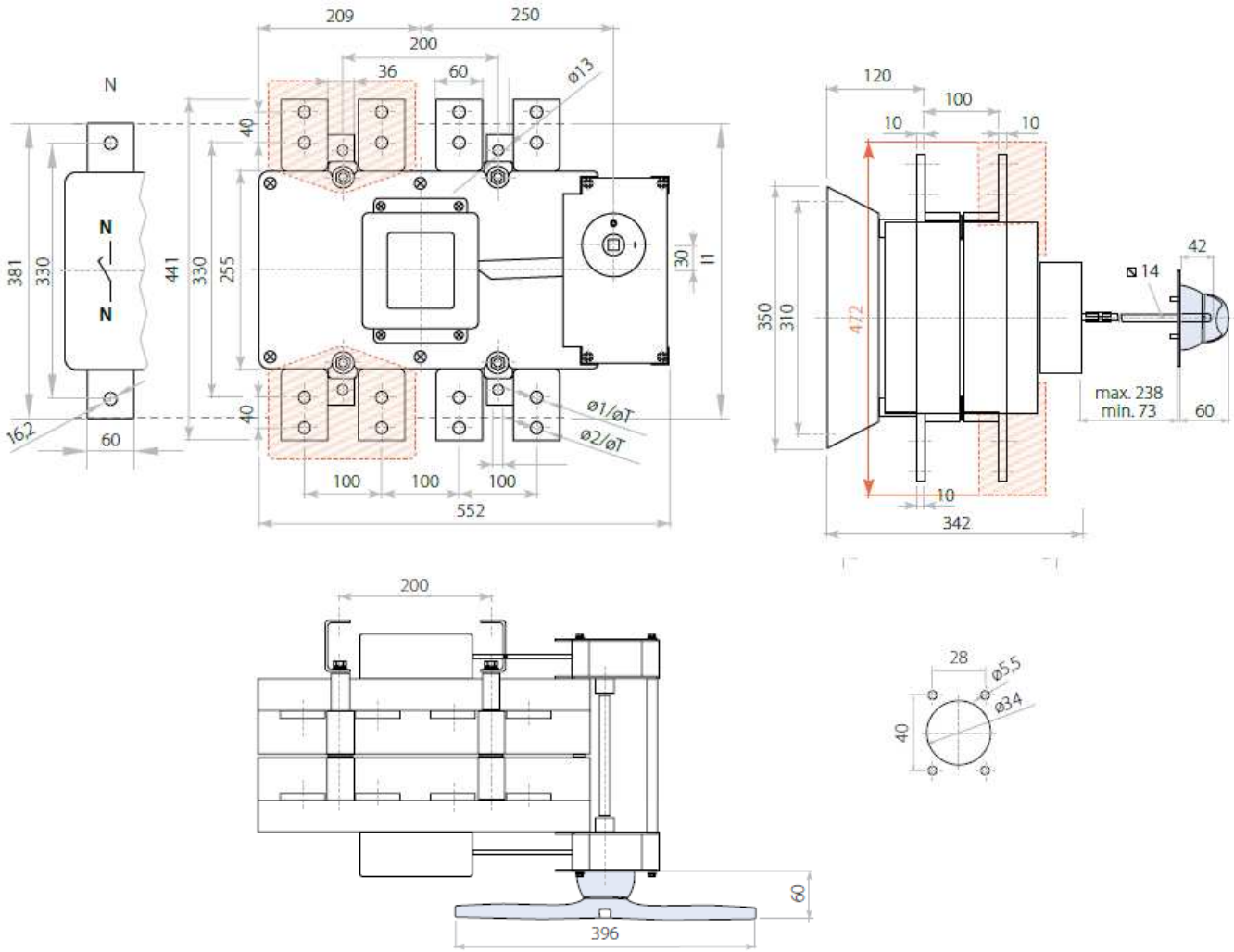
You will find detailed information about our products on our web site www.telergon.es



AC Switch-Disconnecter
S5-20003PS0
S5-20003NS0

TELERGON, S.A.U.
Data subject to change without
notice (printed: 21/01/2014)

Dimensions



S5000	Ith	I	X	T	S min. (Cu) mm ²	M	H max. (Cu) mm	L max. (Cu) mm
5	2000A	381	-	16,2	2000	M16	2X10	80

You will find detailed information about our products on our web site www.telergon.es



AC Switch-Disconnecter
S5-20003PS0
S5-20003NS0

TELERGON, S.A.U.
 Data subject to change without
 notice (printed: 21/01/2014)