

## Data sheet:

### AC-Load break switch Model S5000 – 1250A



#### Electrical data (according to IEC 60947-3)

Thermal current I<sub>th</sub> (-30 to 50 °C) **1250A**

Rated insulation voltage U<sub>i</sub> (V) 1000

Rated impulse withstand voltage U<sub>imp</sub> (kV) 12

#### AC Rated operational current I<sub>e</sub> (A)

Voltage (C)	Category of operation	I <sub>e</sub>
400 V	AC21A	1250
	AC22A	1250
500 V	AC21A	1250
	AC22A	1000

*\*\* Please consult for other voltages and/or category of operation*

Standards. IEC 60947-1 & 3

Quality Telergon, S.A.U.

ISO 9001 & 14001



Management System  
ISO 9001:2008  
ISO 14001:2004  
[www.tuv.com](http://www.tuv.com)  
ID 9105053481

#### Short-circuit behaviour

Short-circuit making capacity (peak value) I <sub>cm</sub>	60kA
Short-time withstand current (1 sec) (rms) I <sub>cw</sub>	25kA
Conditional short-circuit current (rms value)	72kA
Maximum cut-off current (peak value)	55kA

#### Connection capacity

Bar (Thickness / Width) (mm)	2x10/50
Rigid cable (mm <sup>2</sup> )	2x300
Max. Connecting copper bar (mm)	50
Tightening torque (N·m)	45

Testing as per IEC 60947-3. Approvals

Austrian Institute of Technology



#### Mechanical data

Minimum number of operations (as per standard) without load	10000
Maximum weight (4 pole molded case) (kg)	7/7,6

#### Codes

Case size (A)	Poles	Code	Code for direct handle
Size 3	3P	S5-12503PC0	DS-LI31
Size 3	4P (3P+N)	S5-12503NC0	DS-LI31

#### Accessories

Panel handle	DS-LA31
Auxiliary contact	D5LAU01

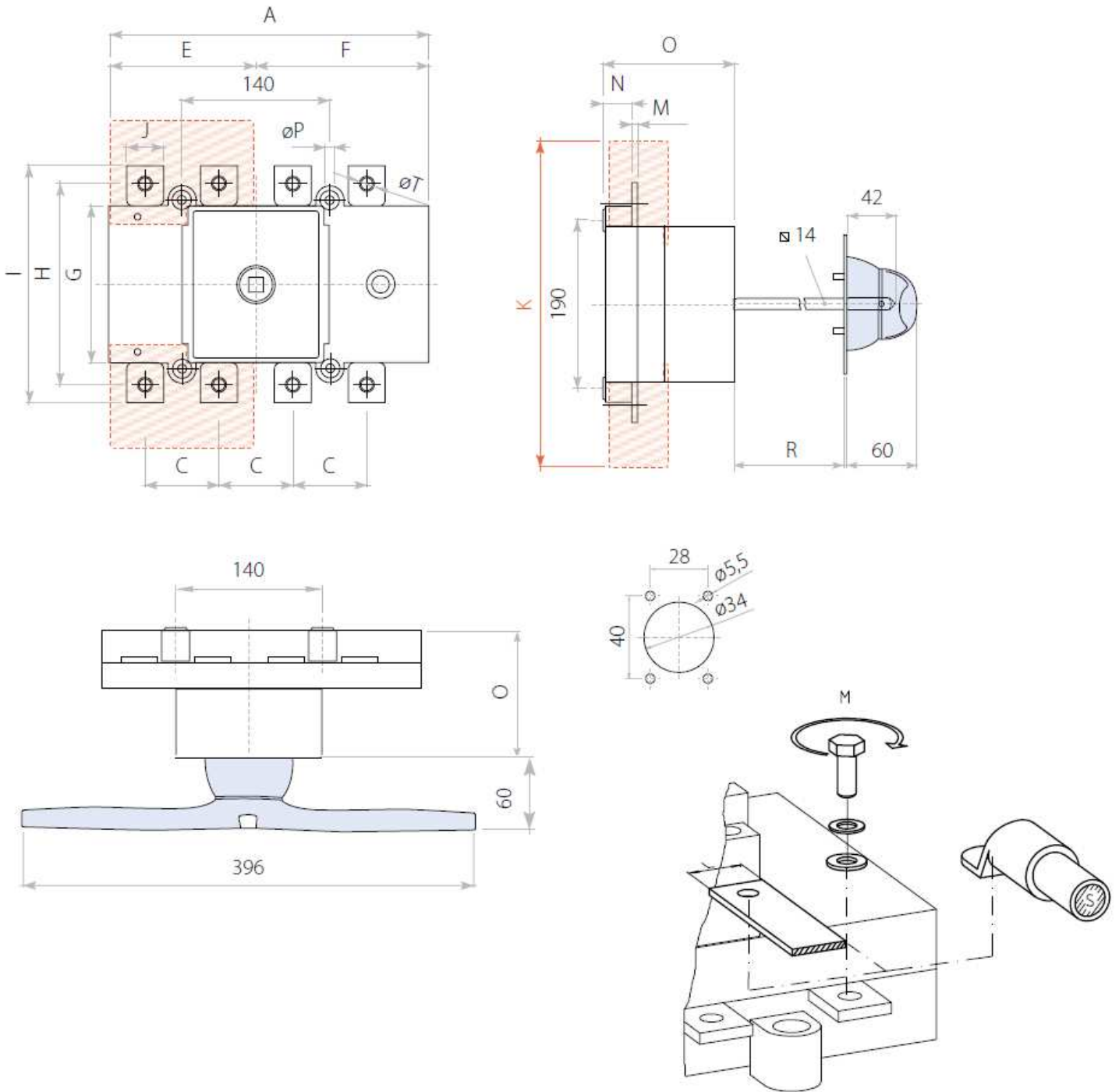
You will find detailed information about our products on our web site [www.telergon.es](http://www.telergon.es)



AC Switch-Disconnecter  
S5-12503PC0  
S5-12503NC0

TELERGON, S.A.U.  
Data subject to change without notice (printed: 09/10/2013)

# Dimensions



S5000	I <sub>th</sub>	A	C	E	F	G	H	I	J	K	L	M	N	O	R		φP	Q	φT	M N×m	S max. (Cu)mm <sup>2</sup>		
															MAX.	MIN.						H max. (Cu)mm	L max. (Cu)mm
3	1250A	325	75	150	175	190	250	290	40	340	285	8	39	137	108	18	9	30	M14	45	2×300	2×10	50

You will find detailed information about our products on our web site [www.telergon.es](http://www.telergon.es)



**AC Switch-Disconnecter**  
**S5-12503PC0**  
**S5-12503NC0**

TELERGON, S.A.U.  
 Data subject to change without  
 notice (printed: 09/10/2013)