

Data sheet:

AC-Load break switch Model S5000 – 1000A

telergon
g o r l a n t e a m



Electrical data (according to IEC 60947-3)

Thermal current I_{th} (-30 to 50 °C) 1000A

Rated insulation voltage U_i (V) 1000
Rated impulse withstand voltage U_{imp} (kV) 12

AC Rated operational current I_e (A)

| Voltage (C) | Category of operation | I _e |
|-------------|-----------------------|----------------|
| 400 V | AC21A | 1000 |
| | AC22A | 1000 |
| 500 V | AC21A | 1000 |
| | AC22A | 1000 |

*** Please consult for other voltages and/or category of operation*

Standards. IEC 60947-1 & 3

Quality Telergon, S.A.U.

ISO 9001 & 14001



Management System
ISO 9001:2008
ISO 14001:2004
www.tuv.com
ID 9105053481

Short-circuit behaviour

| | |
|--|------|
| Short-circuit making capacity (peak value) I _{cm} | 60kA |
| Short-time withstand current (1 sec) (rms) I _{cw} | 25kA |
| Conditional short-circuit current (rms value) | 72kA |
| Maximum cut-off current (peak value) | 55kA |

Connection capacity

| | |
|---------------------------------|---------|
| Bar (Thickness / Width) (mm) | 2x10/50 |
| Rigid cable (mm ²) | 2x300 |
| Max. Connecting copper bar (mm) | 50 |
| Tightening torque (N·m) | 45 |

Testing as per IEC 60947-3. Approvals

Austrian Institute of
Technology



Mechanical data

| | |
|---|-------|
| Minimum number of operations (as per standard) without load | 10000 |
| Maximum weight (4 pole molded case) (kg) | 77,6 |

Codes

| Case size (A) | Poles | Code | Code for direct handle |
|---------------|-----------|-------------|------------------------|
| Size 3 | 3P | S5-10003PC0 | DS-LI31 |
| Size 3 | 4P (3P+N) | S5-10003NC0 | DS-LI31 |

Accessories

| | |
|-------------------|---------|
| Panel handle | DS-LA31 |
| Auxiliary contact | D5LAU01 |

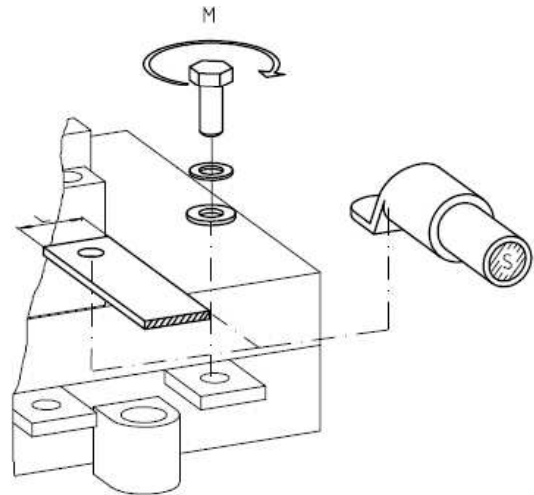
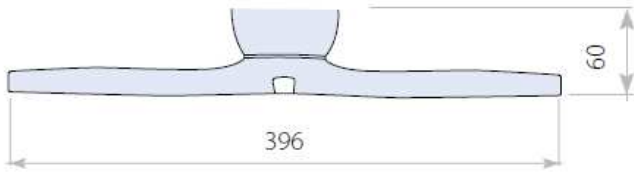
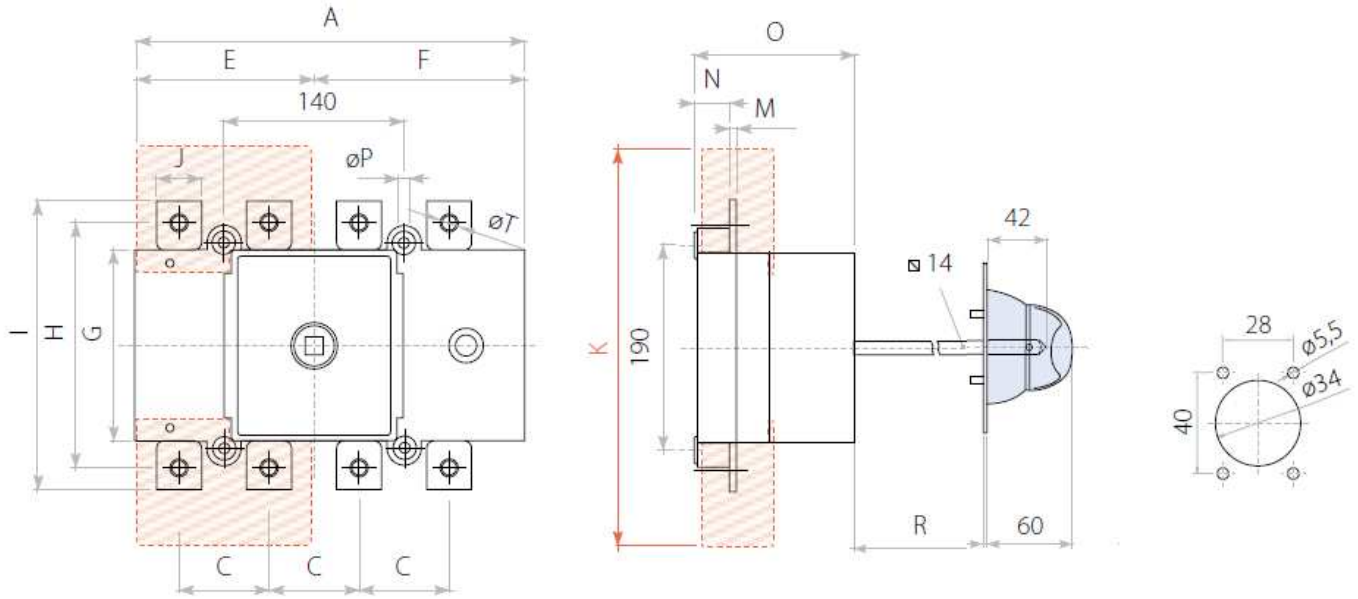
You will find detailed information about our products on our web site www.telergon.es



AC Switch-Disconnecter
S5-10003PC0
S5-10003NC0

TELERGON, S.A.U.
Data subject to change without
notice (printed: 26/02/2014)

Dimensions



| S5000 | I _{th} | A | C | E | F | G | H | I | J | K | L | M | N | O | R | | φP | Q | φT | M N×m | S max. (Cu)mm ² | H max. L max. (Cu)mm (Cu)mm | |
|-------|-----------------|-----|----|-----|-----|-----|-----|-----|----|-----|-----|---|----|-----|-----|-----|----|----|-----|----------|-------------------------------|--------------------------------|----|
| | | | | | | | | | | | | | | | MAX | MIN | | | | | | H | L |
| 3 | 1000A | 325 | 75 | 150 | 175 | 190 | 250 | 290 | 40 | 340 | 285 | 8 | 39 | 137 | 108 | 18 | 9 | 30 | M14 | 45 | 2×300 | 2×10 | 50 |

You will find detailed information about our products on our web site www.telergon.es



AC Switch-Disconnecter
S5-10003PC0
S5-10003NC0

TELERGON, S.A.U.
 Data subject to change without
 notice (printed: 26/02/2014)